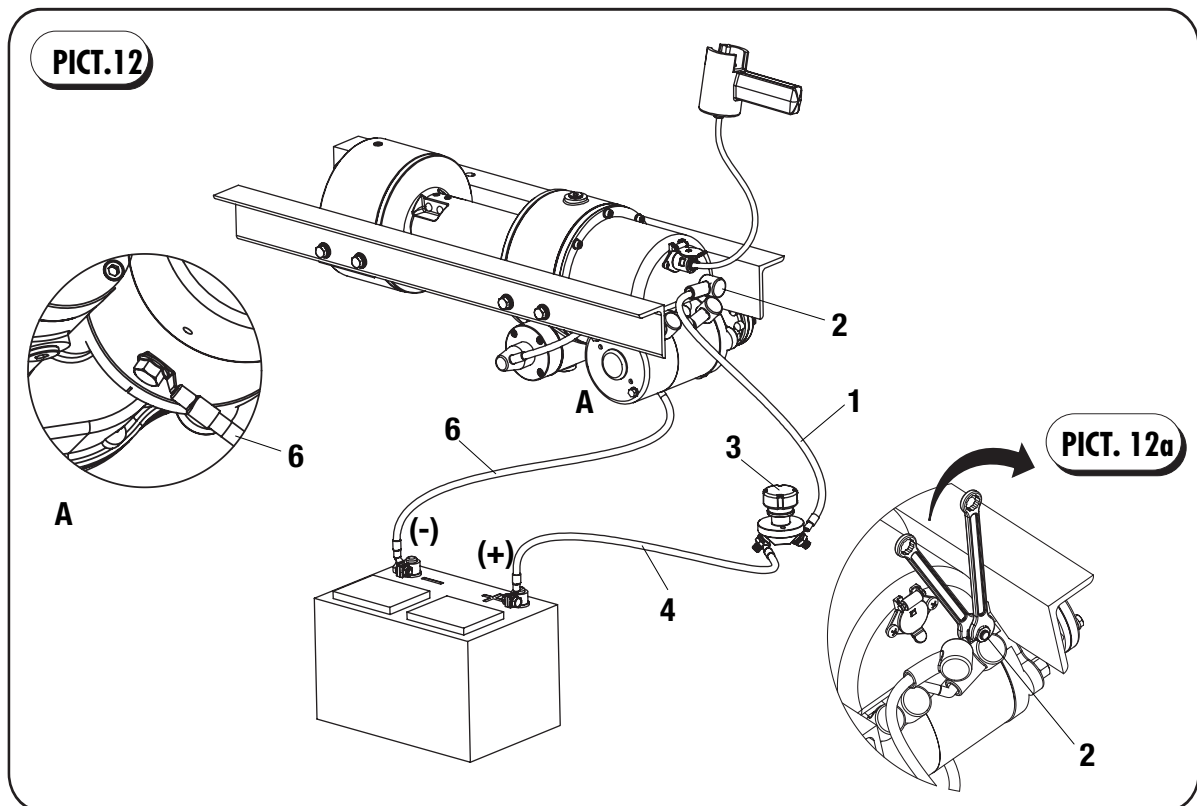


## 2.5.1 ELECTRICAL CONNECTIONS



Connect cable (1), length (1,5 Mt), from power supply terminal (2) to battery switch terminal (3). Connect cable (4), length (0,5 Mt), from battery switch terminal (3) to positive battery terminal. Attach ground wire from motor housing (capscrew 3/8") to negative battery terminal (detail A, pict.12).



### WARNING

Connecting cable (1) to stud (2) on plastic solenoids cover, hold the inner nut when tightening the outer nut (pict.12a). Power supply terminal (2) do not have to rotate which lead to internal electrical connections failure.



### IMPORTANT

Section of electric cables supplied (35 mm<sup>2</sup>) depend on its length. Using much longer electric cables will be necessary increase its diameter.



### IMPORTANT

For good winching, electrical system and battery must be keep in good conditions. The minimum ampere-hour rating of vehicle battery should be 90.



### WARNING

To avoid serious injury or death from electrical fire, never route electrical cables:

- Across any sharp edges.
- Through or near moving parts.
- Near parts that become hot.