



Spare parts catalogue

Winch
S15

DINAMIC OIL S.p.A.

Via Togliatti, 15
41030 Bomporto (MO)
tel +39.059.812611
fax +39.059.812603
dinamicoil@dinamicoil.it

Spare parts catalogue No.

L198

Logbook code

WS0015S0GA00

Edition

20/11/2013

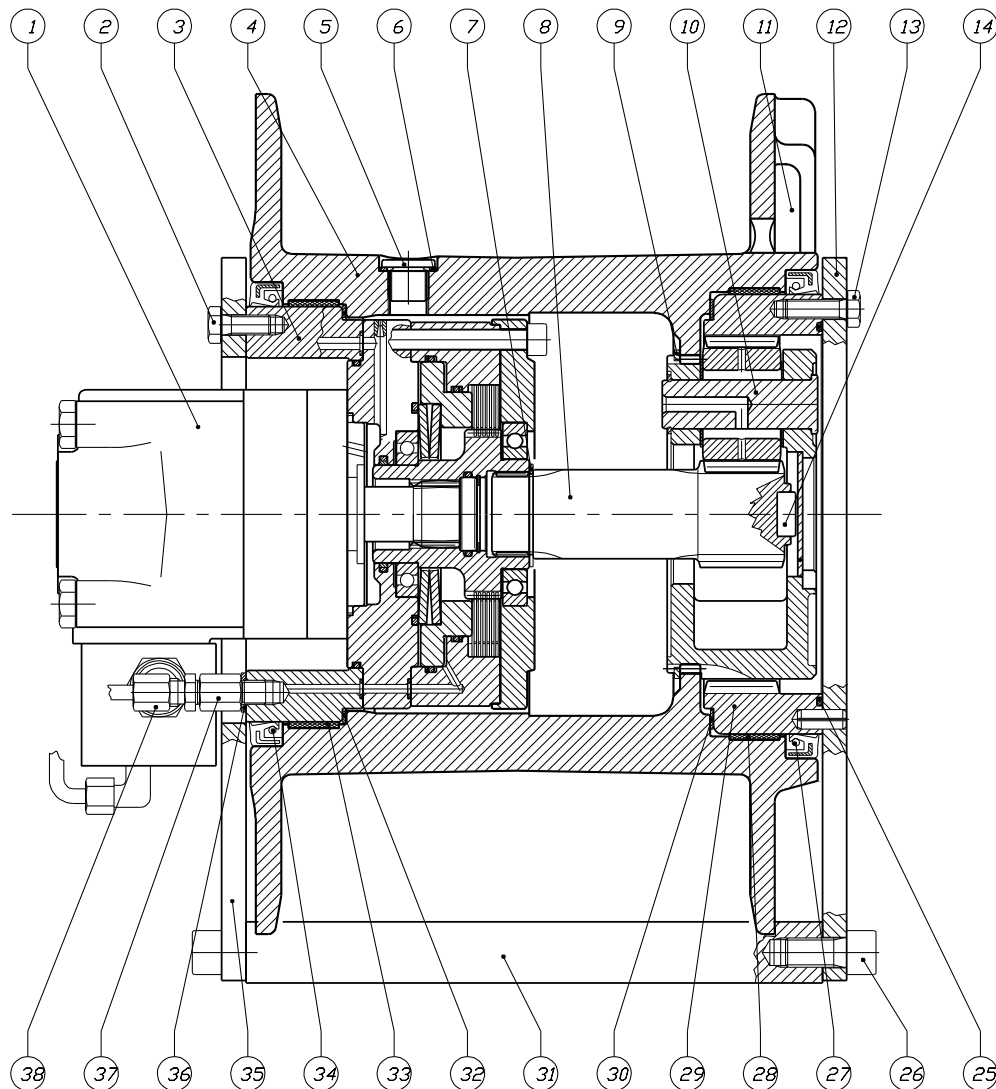
Revision

0

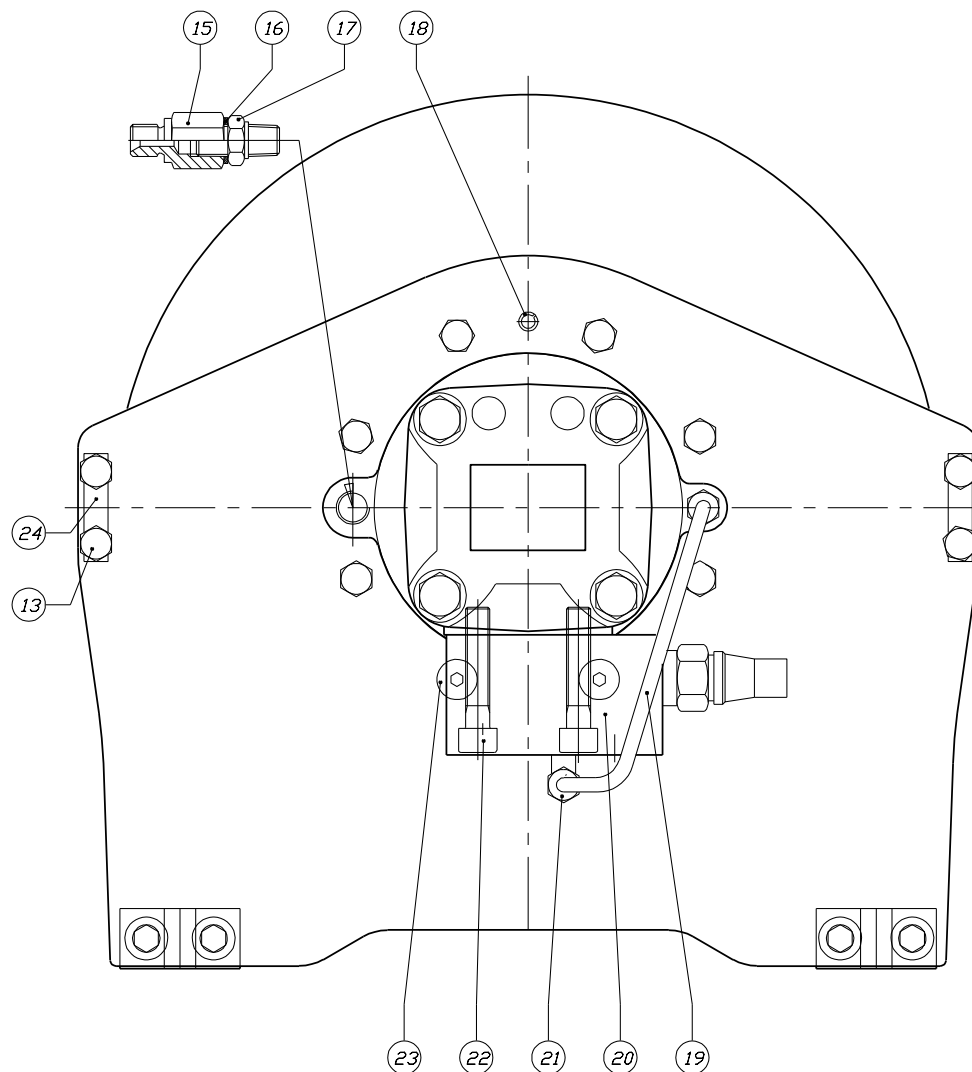


Table index	<i>Winch</i>	S15
	<i>Logbook code</i>	WS0015S0GA00

Page	Table code	Table heading
3	WS0015S0GA00-1	WINCH S 15 SX SMOOTH DRUM ROPE Ø10
4	WS0015S0GA00-2	WINCH S 15 SX SMOOTH DRUM ROPE Ø10
5	ACCESSORIES	



Pos	Code	Qty	Description
1	425026200	1	MOTOR OMSU 160 3S.151F0581
2	410208900	6	HEX HEAD CAP SCREW M8X20 8.8 UNI 5739
3	02981041	1	BRAKE GROUP S15/S19 OMSU
4	02301011	1	DRUM S15-S19 (CASTING)
5	419000700	2	HEX SOCKET HEAD CAP PLUG DIN 908 R 3/8"GAS
6	423000600	2	SOFT WASHER COPPER 3/8" UNI 6953
7	421000500	1	SHAFT SEEGER Ø35
8	02611016	1	SUN GEAR RE 250 R=1:5,8 S15-S19
9	415022100	1	SHOULDER RING WR130 FOR SHAFT
10	4050001000	1	GEAR SUBASSEMBLY P15/S15 RE 250 1:5,7
11	241000000	1	THIMBLE BH215-220-P15-S15 Ø10
12	02340212	1	GEAR SIDE SUPPORT S15-S19
13	410201100	16	HEX HEAD CAP SCREW M8X25 10.9 UNI 5739
14	01021000	1	WHEEL GEARBOX PAD EH 200 PD
25	406016800	1	O-RING 2-163 N 674-70 (PARKER)
26	410407700	8	HEX SOCKET HEAD CAP SCREW M12X25 12.9
27	415012800	1	SEAL RING 180X200X13 BASL
28	405022900	1	GUIDE RING ATS-F 180X185X19.5 RFG
29	02231008	1	TOOTHED RING GEAR S15-S19
30	427016400	1	THICKNESS SHIM ADJUSTMENT 160X176X1
31	02451003	2	FIXING PLATE
32	294131100	1	SHIMMING RING P6 160X170X1
33	405022800	1	GUIDE FIXING ATS-F 170X175X19.5 RFG
34	415090400	1	SEAL RING 170X190X13 BASL
35	02340211	1	MOTOR SIDE SUPPORT S15-S19
36	423203900	1	RUBBER WASHER 1/8"GAS
37	442025600	1	SHORT STUD MF 1/8 L=17
38	440001000	1	STRAIGHT CONNECTOR 1/8"G CONICAL Ø6 PIPE



Pos	Code	Qty	Description
13	410201100	16	HEX HEAD CAP SCREW M8X25 10.9 UNI 5739
15	442024500	1	SHORT STUD MF 1/4" G L=32
16	423000300	1	SOFT COPPER WASHER 1/4" 13X19X1.5
17	442024800	1	JOINT 1/4 MM GAS CONICAL-CILIND..
18	434010500	4	ELASTIC PIN Ø 8X20 UNI6873
19	02671033	1	BRAKE PIPE S15 SX
20	438022100	1	VALVE VOC120
21	440000100	1	CONNECTOR 90° 1/8"G CONICAL Ø6 PIPE
22	410406100	2	HEX SOCKET HEAD CAP SCREW M10X70 12.9
23	410040400	2	HEX SOCKET COUNTERSUNK HEAD CAP SCREW M8X20 10.9
24	02451002	2	CROSS MEMBER S15

**ACCESSORIES***Winch***S15***Logbook code***WS0015S0GA00**

CODE	QTY	DESCRIPTION
4021CE	1	BLOCK FOR ROPE Ø10
23800	1	SHACKLE OMEGA 2T
21600	1	HOOK WITH JOINT GSC 2000
265700	1	ROPE A4L Ø10 57MT CLR