

4.1 - Delivery

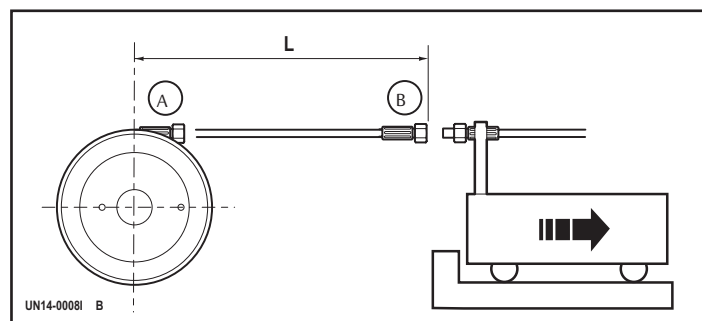
The hose winder is supplied wrapped in protective packaging and packed in a cardboard box. Depending on the quantity required, the hose winders may also be delivered stacked on pallets. Do not place more than one box on top of another as these boxes are not designed for stacking. When handling the packed units, always comply with the load handling regulations in force. The hose winder is available with or without the hose.

5 Adjustments

5.1 - Preloading the spring

i Information

When preloading the spring, rotate the hose winder solely in the direction shown by the arrow to prevent the spring breaking.



- 1) With the spring released, pull out the hose until it reaches the activation point "B", counting the number of turns the hose winder makes.
- 2) Replace the hose in the initial position (A).
- 3) Rotate the hose winder through the number of turns that constitutes the difference between the preload turns stated on the plate and the number required to run the hose along section "L" (non-wound section).
- 4) Pull the hose out until it reaches the activation point "B".

6 Maintenance

6.1 - Cleaning

Do not direct jets of pressurised water at the hose winder. Clean the winder with a soft cloth dampened with legal, neutral detergents that comply with the regulations in force.

7 Troubleshooting

Problem	Cause	Remedy
The hose winder does not wind up the hose or only winds it partially	Spring is broken or worn	Replace spring
Oil leak	Unions are loose Gaskets on body are worn	Tighten unions Replace gaskets

8 Replacements

! Caution!! - Hazard!!

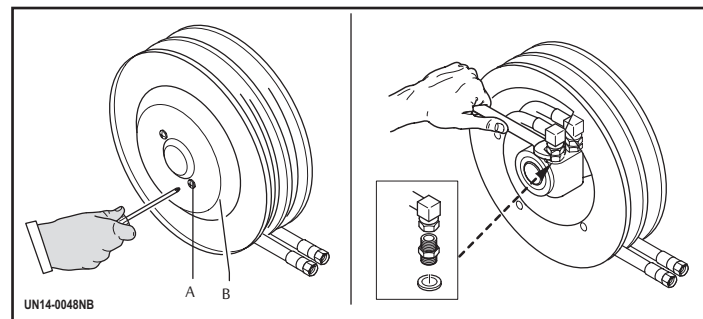
All operations should be carried out with the hose winder cool and depressurised. Place the machine housing the hose winder in a stable position, in the resting condition, and ensure it is not connected to any power supplies.

When replacing parts, always use original components that are specific for the model in question. Collect the oil that leaks out in a suitable container and dispose of it in accordance with the regulations in force.

8.1 - Replacing the hose

! Caution!! - Hazard!!

Before removing the mobile end, grip the hose firmly and hold onto it while winding it up to release the tension in the return spring.

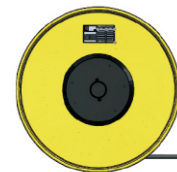


Disassembly

- 1) Undo the bolts "A" and remove the cover "B".
- 2) Unwind the hoses from the hose winder.
- 3) Unscrew the unions and remove the hose.

Assembly

- 1) Fit the hoses and tighten the unions.
- 2) Place the cover "B" in position and tighten the bolts "A".
- 3) Rewind the hoses into the hose winder.



GALLI ERIO SRL
THE REEL FACTORY

41019 Sozzigalli di Soliera (MO) - ITALY
Via Silvio Pellico, 5
tel. +39 059 567682 - fax +39 059 567440
e-mail: info@gallierio.it - web: www.gallierio.it

HYDRAULIC HOSEWINDER

SERIE 3/4 2V

Use and maintenance manual

4.077.006 R 3/4"

REGISTRATION NUMBER 00.048

0.1 - SPRING TECHNICAL DETAILS

SPRING	50x2x20000 COD. 5.355.030
PRELOADING	n° 8
STROKE	n° 9
TOTAL TURNS	n° 18

1 General information

1.1 - Aim of the manual

This manual, written by the manufacturer, contains all necessary information for the hose winder's ⁽¹⁾ assembly, use and maintenance, in addition to the basic principles for its safe operation. The manual is aimed at qualified members of staff (operators), who must possess the precise skill and technical ability required to carry out the activity for which their services have been requested. The manual is an integral part of the hose winder and if the machine is resold, the seller is required to pass the manual onto the new owner. The operator must read, understand and follow the instructions found in this manual, in particular those highlighted by the symbols below.

! Caution!! - Hazard!!

This sign accompanies information or procedures which, if not carried out exactly as stated, could result in injury to the operator or damage to the machine.

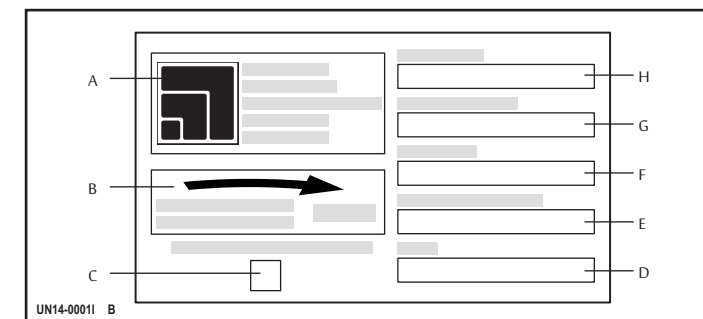
i Information

This sign highlights useful and important information or procedures.

(1) The term "hose winder" refers to the hose winder whose trade name

is shown on the cover.

1.2 - Manufacturer and machine information



- A - Manufacture's identification details
- B - Winding direction
- C - Number of turns for spring preload
- D - Year of manufacture
- E - Operating pressure
- F - Hose diameters
- G - Registration number
- H - Model

1.3 - Technical service

Anyone requiring technical service should contact the manufacturer or the nearest authorised Service Centre.

1.4 - Disclaimer

The manufacturer cannot be held responsible for:

- 1) mishandling of the hose winder;
- 2) incorrect installation;
- 3) unauthorised alterations or work on the hose winder;
- 4) complete or partial failure to comply with instructions;
- 5) use of non-original spare parts or those which are not designed specifically for the model in question.

1.5 - Documentation enclosed

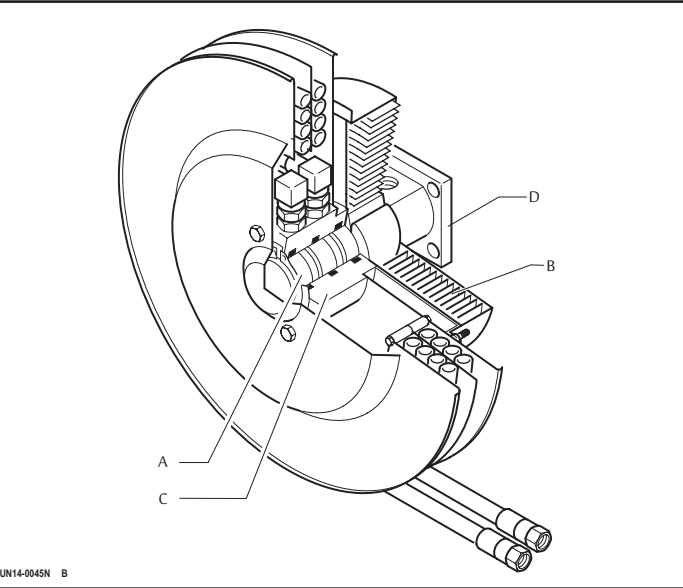
- Declaration of Conformity.

2 Technical information

2.1 - General description

The hose winder is composed of a rotary body fitted on a shaft. The rotary body has a series of plates on it that hold the hoses which deliver high pressure fluid to the mobile part of the machine housing it. The unwinding function is carried out by means of traction applied to the hoses, while the winding is driven by the return spring (which reloads during unwinding).

2.2 - Main parts



- A - Shaft
- B - Return spring
- C - Rotary body
- D - Fastening flange

2.3 - Intended use

The hose winder is designed for use in compliance with the specifications stated and the given assembly types. The hose winder is suitable for use with mineral hydraulic oils.

2.4 - Uses not permitted

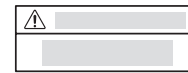
Use of the hose winder is prohibited in areas at risk of fire or explosions. Use of the hose winder is prohibited with flammable or aggressive liquids (liquid fuels, solvents, acids, corrosives, solutions composed of many substances which may, either separately or together, pose a fire risk). Use of the hose winder is prohibited if the machine housing fails to comply with the applicable EEC directives.

2.5 - Safety, prohibition and information signs

⚠ Caution!! - Hazard!!

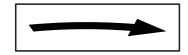
Check that the plates are always in place and are legible; if they are not, replace them, affixing the new signs in the same positions as those removed.

Hazard signs

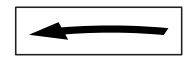


This sign highlights mechanical risks posed by the loaded spring.

Information signs



This sign shows that the hoses unwind clockwise.



This sign shows that the hoses unwind anti-clockwise

Prohibition signs



This signs shows that it is forbidden to unscrew the bolts specified on the plate.

Model	Ø A (mm)	N° hoses	B (mm)	B1 (mm)	Ø C (gas)	Weight (kg) without hose
			per hose Ø 3/4"	per hose Ø 3/4"	per hose Ø 3/4"	
4.077.001	470	2	33	80	3/4"	24
4.077.002	500	2	33	97	3/4"	25
4.077.003	530	2	33	97	3/4"	26
4.077.004	560	2	33	97	3/4"	28
4.077.005	625	2	33	97	3/4"	30,5
4.077.007	790	2	33	97	3/4"	35,5

Specifications

Max. static pressure	40 Mpa
Max. dynamic pressure	35 Mpa
Operating temperature	- 20° / + 80 °C

Max. hose winding length

Model	Max. hose length (mm) Ø 3/4"
4.077.001	4000
4.077.002	4500
4.077.003	5200
4.077.004	6300
4.077.005	8000
4.077.007	13500

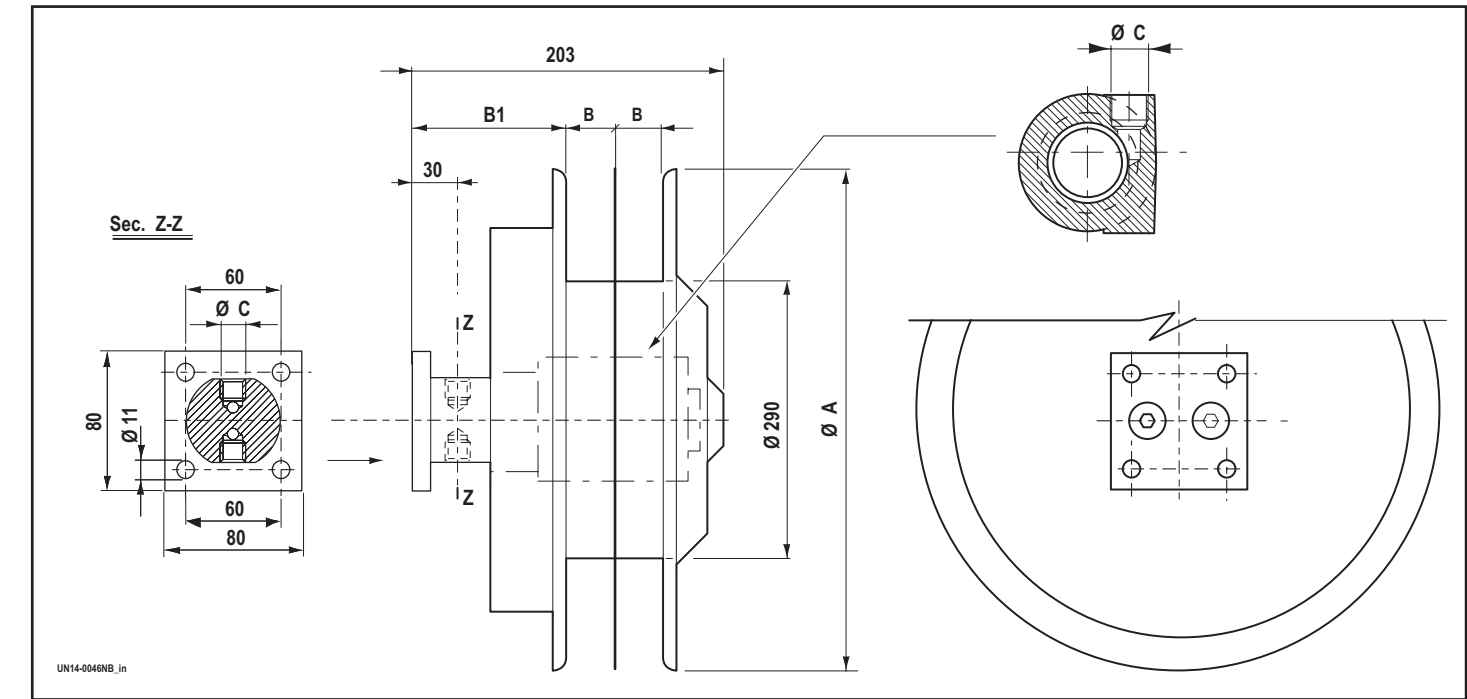
3 Safety information

Before carrying out any work on the hose winder, you must be aware of how the machine housing it is used and operates. The same applies to the hose winder itself. You must also comply with the regulations in force regarding accident prevention in the workplace.

- Always follow the assembly instructions outlined in this handbook.
- Any repair work must be carried out with the hose winder de-pressurised.

2.6 - Technical feature

Overall dimensions



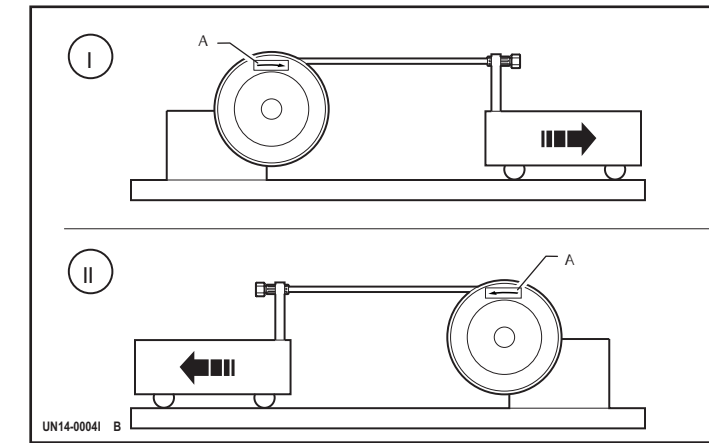
4.2 - Installation

The hose winder is not suitable for use in salty atmospheres.

4.2.1 - Assembly type

i Information

Always follow the unwinding direction shown by the arrow "A".



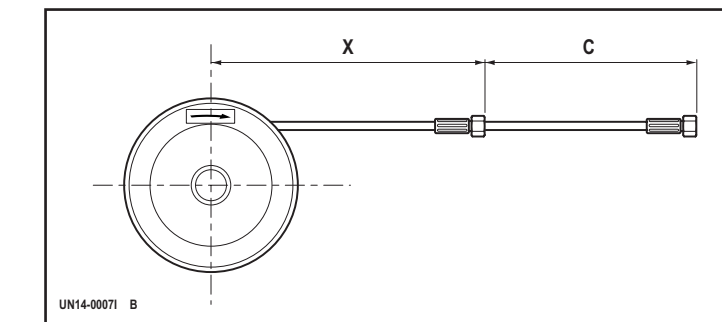
"I": RH hose winder

"II": LH hose winder

4.2.3 - Fitting the hose

We recommend you use thermoplastic hoses. Hose unions on the hose winder body must be 90° compact type. Wind up the hose in the direction shown by the unwinding arrow.

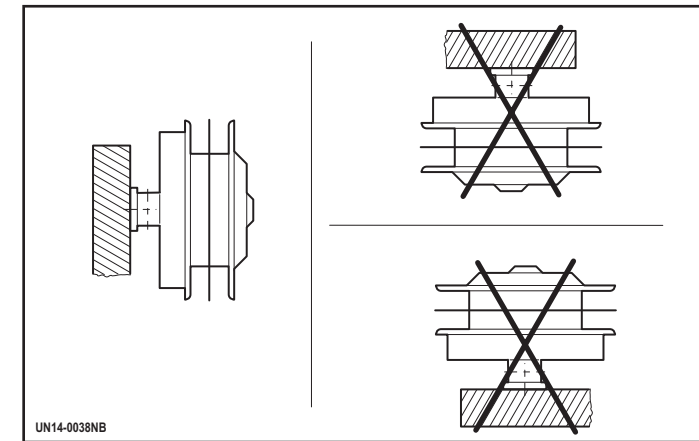
Calculating the total hose length



$L = C + X + 200$
 L = hose length
 X = section of hose that has not be wound
 C = winder stroke

i Information

The hose winder is designed for vertical fitting only.



4.2.2 - Clamping

When bracketing the unit, always use class 8.8 M10 galvanised bolts. Tighten the bolts to the prescribed torque.

