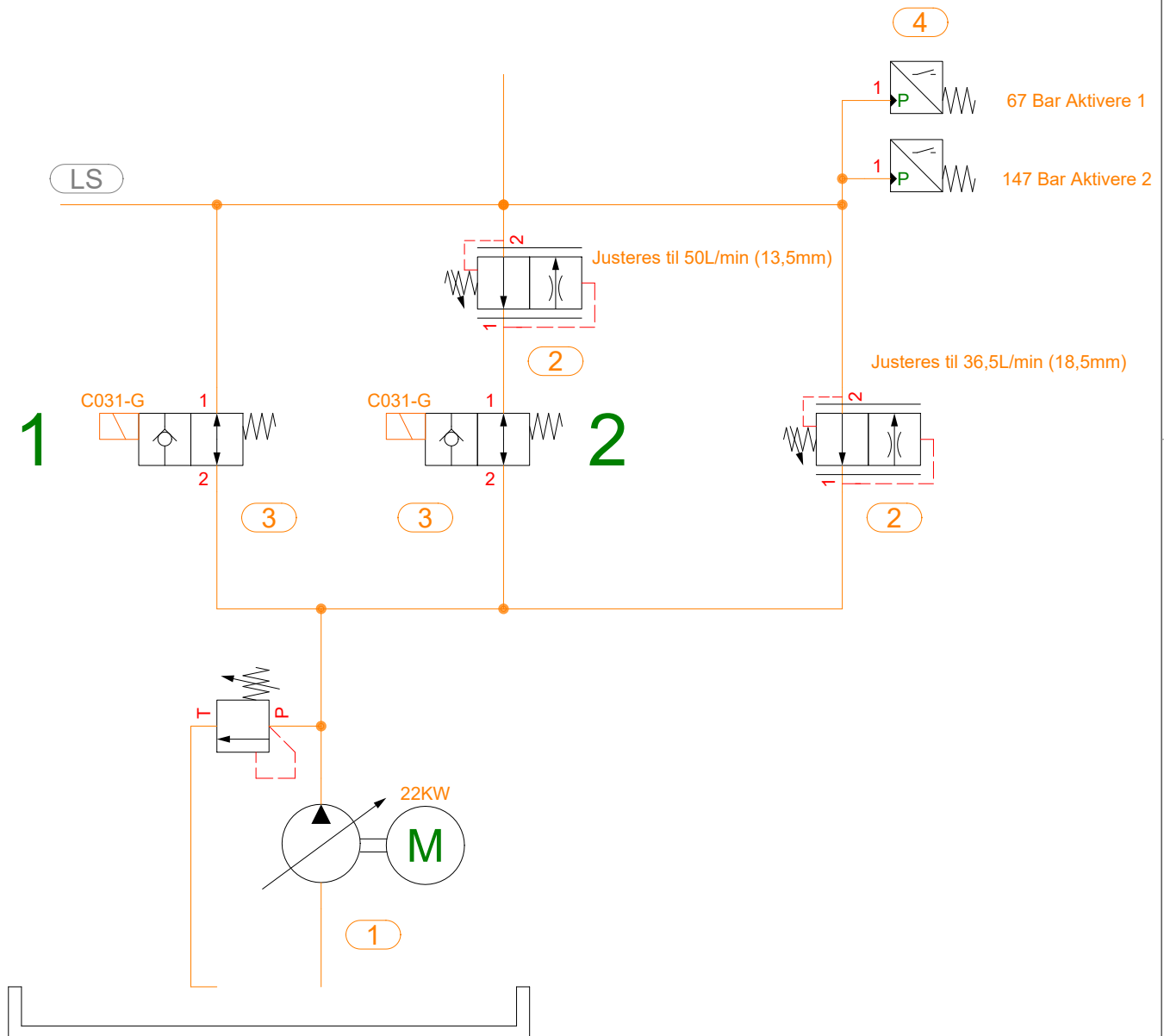


Pos.	ArticleCode	ComponentType	Qty.	Manufacturer
1	0520300	Stempelpumpe LS Leduc indexabel TXV130	1	Leduc
2	VRD03DFF	Flowreguleringsventil	2	Villa
3	6SAE120000ON2000	Patronventil NO 150L/min 350 Bar	2	GFluid
	P4101538	VentilBlok Stål 1"	2	Gfluid
	CE066202D	Magnetspole 24V DC Ø12,7x38,5xH44,5	2	Gfluid
4	K77	Pressostat justerbar 1/4" BSP 30-300 Bar Max 400 Bar	1	FOX



This document is property of JO Hydraulics. Not to be used, disclosed, or copied without its written consent.

Customer :



JO Hydraulics A/S
 Verringvej 74
 8660 Skanderborg
 Danmark
 Tlf.: 75141500
 Mail: info@johydraulics.dk
 Web: http://johydraulics.dk

Drawn by : CB

Date :

Checked by :

Date :

Weight :

Material :

Paper Size Scale Project number

A4

Order Drawing

Rev.

A