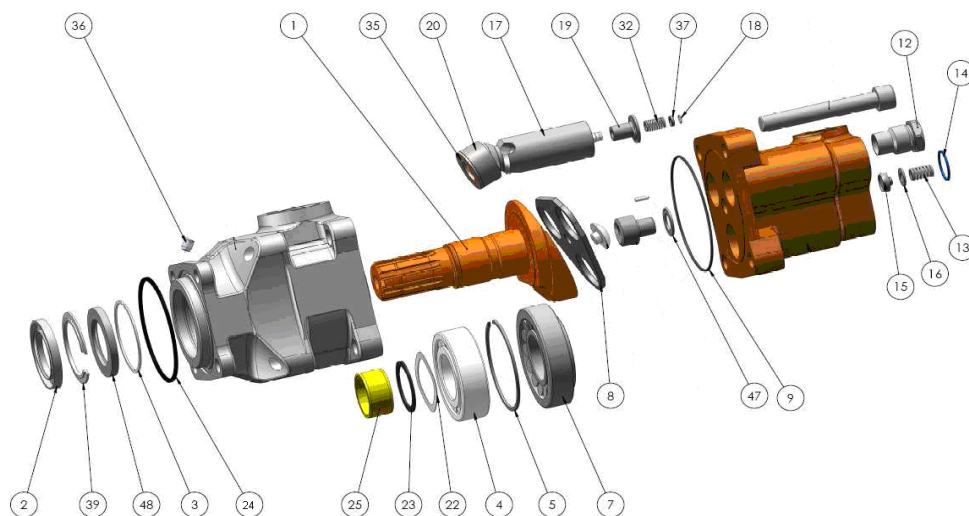


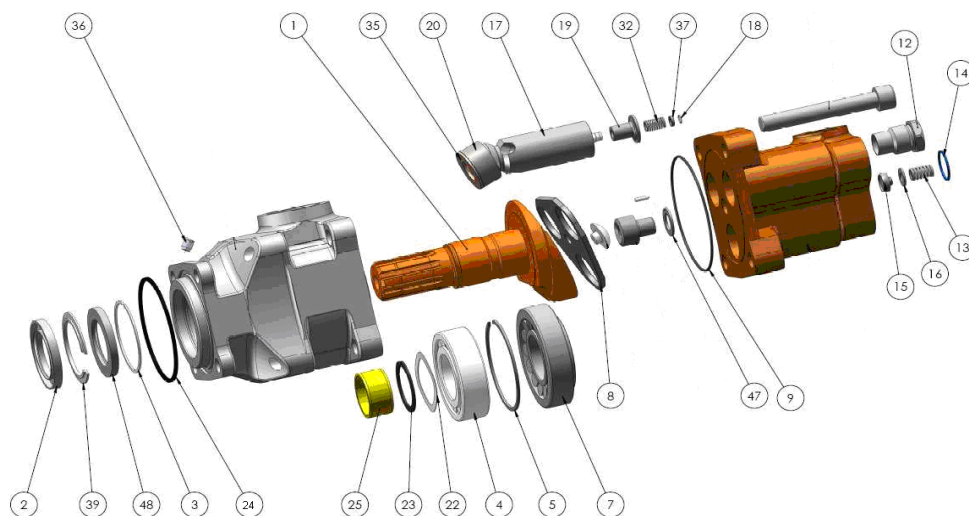
Spare parts for repair the pump PA12_0511445
 Kit de pièces pour réparer une pompe PA12_0511445

kit	Components / Composants		Reference / Référence	Quantity / Quantité	Item no. / Nr article	Price / Prix
Kit 1: seals / Joints	tube plastique	Plastic tube	310296	1	0	
0512465	Joint viton	Viton lip seal	130362	1	2	
	Circlips	Circlips	151062	1	3	
	Joint torique	O-ring	145089	1	9	
	Joint aluminium	Aluminum seal	140241	3	14	
	Joint torique	O-ring	1483231	3	14	
	Rondelle ondulée	Washer	170214	1	22	
	Circlips	Circlips	150541	1	23	
	Joint torique	O-ring	1411049	1	24	
	bague	Internal ring	117010	1	25	
	Cartouche carstick	Carstick plug	310295	1	36	
	Rondelle plastique	Plastic washer	0519663	1	39	
	Joint nitrile	Nitrile lip seal	1303601	1	48	
Kit 2: Semelles / Shoes	Semelle bronze	Shoes	059994	3	35	
Kit 3: Pistons	Plaque de rappel	Return plate	059977	1	8	
0512466	Piston	Piston	0519550	3	17	
	Jonc	Circlips	0516108	3	18	
	Clapet aspiration	Inlet check valve	0518477	3	19	
	Plot acier	Steel shoe	059978	3	20	
	Ressort	Spring	0515901	3	32	
	Rondelle	Washer	0515903	3	37	
Kit 4: Shaft / Arbre	Axe	Shaft	059972	1	1	
Kit 5: Bearings / Roulements	Roulement rouleaux	Roller bearing	110328	1	4	
	Circlips	Circlips	151080	1	5	
	Roulement conique	Conical bearing	110640	1	7	
Kit 6: Outlet check valves / Clapets refoulement For pump after 12/2014	Bouchon	Plug	0523033	3	12	
	Joint torique	O-ring	1483231	3	14	
	Ressort	Spring	052158	3	13	
	Clapet refoulement	Outlet check valve	057813	3	15	
	Rondelle	Washer	057814	3	16	
Kit 6.1: Outlet check valves / Clapets refoulement For pump before 12/2014	Bouchon	Plug	052157	3	12	
	Ressort	Spring	052158	3	13	
	Joint aluminium	Aluminum seal	140241	3	14	
	Clapet refoulement	Outlet check valve	057813	3	15	
	Rondelle	Washer	057814	3	16	



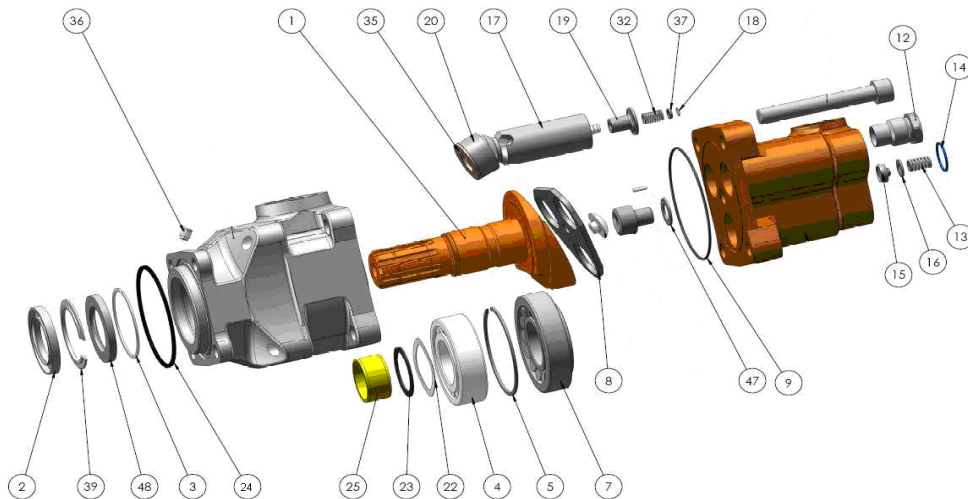
Spare parts for repair the pump PA18_0511450
 Kit de pièces pour réparer une pompe PA18_0511450

kit	Components / Composants		Reference / Référence	Quantity / Quantité	Item no. / Nr article	Price / Prix
Kit 1: seals / Joints	tube plastique	Plastic tube	310296	1	0	
0512465	Joint viton	Viton lip seal	130362	1	2	
	Circlips	Circlips	151062	1	3	
	Joint torique	O-ring	145089	1	9	
	Joint aluminium	Aluminum seal	140241	3	14	
	Joint torique	O-ring	1483231	3	14	
	Rondelle ondulée	Washer	170214	1	22	
	Circlips	Circlips	150541	1	23	
	Joint torique	O-ring	1411049	1	24	
	bague	Internal ring	117010	1	25	
	Cartouche carstick	Carstick plug	310295	1	36	
	Rondelle plastique	Plastic washer	0519663	1	39	
	Joint nitrile	Nitrile lip seal	1303601	1	48	
Kit 2: Semelles / Shoes	Semelle bronze	Shoes	059994	3	35	
Kit 3: Pistons	Plaque de rappel	Return plate	059977	1	8	
0512466	Piston	Piston	0519550	3	17	
	Jonc	Circlips	0516108	3	18	
	Clapet aspiration	Inlet check valve	0518477	3	19	
	Plot acier	Steel shoe	059978	3	20	
	Ressort	Spring	0515901	3	32	
	Rondelle	Washer	0515903	3	37	
Kit 4: Shaft / Arbre	Axe	Shaft	059983	1	1	
Kit 5: Bearings / Roulements	Roulement rouleaux	Roller bearing	110328	1	4	
	Circlips	Circlips	151080	1	5	
	Roulement conique	Conical bearing	110640	1	7	
Kit 6: Outlet check valves / Clapets refoulement For pump after 12/2014	Bouchon	Plug	0523033	3	12	
	Joint torique	O-ring	1483231	3	14	
	Ressort	Spring	052158	3	13	
	Clapet refoulement	Outlet check valve	057813	3	15	
	Rondelle	Washer	057814	3	16	
Kit 6.1: Outlet check valves / Clapets refoulement For pump before 12/2014	Bouchon	Plug	052157	3	12	
	Ressort	Spring	052158	3	13	
	Joint aluminium	Aluminum seal	140241	3	14	
	Clapet refoulement	Outlet check valve	057813	3	15	
	Rondelle	Washer	057814	3	16	



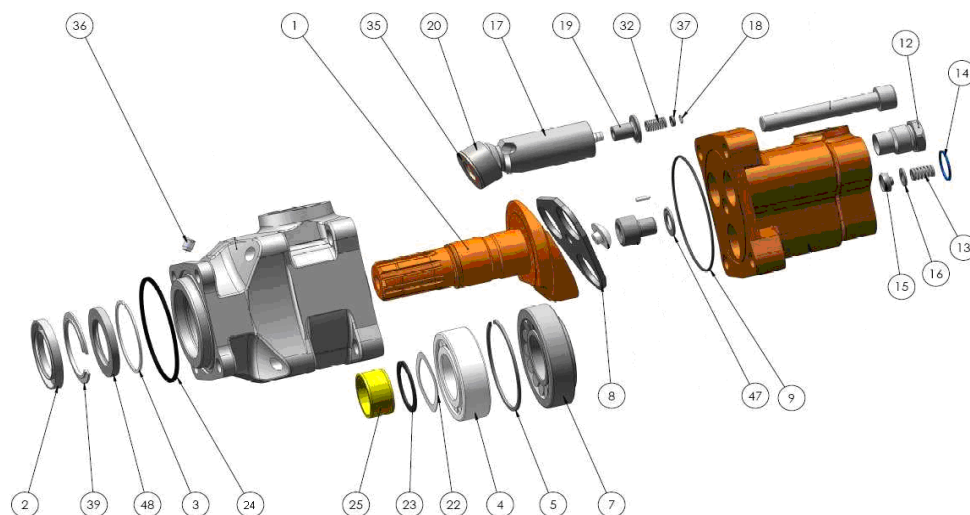
Spare parts for repair the pump PA25_0511510
 Kit de pièces pour réparer une pompe PA25_0511510

kit	Components / Composants		Reference / Référence	Quantity / Quantité	Item no. / Nr article	Price / Prix
Kit 1: seals / Joints	tube plastique	Plastic tube	310296	1	0	
0512385	Joint viton	Viton lip seal	130362	1	2	
	Circlips	Circlips	151062	1	3	
	Joint torique	O-ring	1411229	1	9	
	Joint aluminium	Aluminum seal	140241	3	14	
	Joint torique	O-ring	1483231	3	14	
	Rondelle ondulée	Washer	170214	1	22	
	Circlips	Circlips	150541	1	23	
	Joint torique	O-ring	1411049	1	24	
	bague	Internal ring	117010	1	25	
	Cartouche carstick	Carstick plug	310295	1	36	
Rondelle plastique	Plastic washer	0519663	1	39		
	Joint nitrile	Nitrile lip seal	1303601	1	48	
Kit 2: Semelles / Shoes	Semelle bronze	Shoes	059727	3	35	
Kit 3: Pistons	Plaque de rappel	Return plate	0511794	1	8	
0512386	Piston	Piston	0519530	3	17	
	Jonc	Circlips	0516108	3	18	
	Clapet aspiration	Inlet check valve	0515898	3	19	
	Plot acier	Steel shoe	059679	3	20	
	Ressort	Spring	0515901	3	32	
	Rondelle	Washer	0515903	3	37	
Kit 4: Shaft / Arbre	Axe	Shaft	059983	1	1	
	Rondelle	Washer	0512273	1	47	
Kit 5: Bearings / Roulements	Roulement rouleaux	Roller bearing	110328	1	4	
	Circlips	Circlips	151080	1	5	
	Roulement conique	Conical bearing	110640	1	7	
Kit 6: Outlet check valves / Clapets refoulement For pump after 12/2014	Bouchon	Plug	0523032	3	12	
	Joint torique	O-ring	1483231	3	14	
	Ressort	Spring	059721	3	13	
	Clapet refoulement	Outlet check valve	057813	3	15	
	Rondelle	Washer	057814	3	16	
Kit 6.1: Outlet check valves / Clapets refoulement For pump before 12/2014	Bouchon	Plug	059663	3	12	
	Ressort	Spring	059721	3	13	
	Joint aluminium	Aluminum seal	140241	3	14	
	Clapet refoulement	Outlet check valve	057813	3	15	
0512387	Rondelle	Washer	057814	3	16	



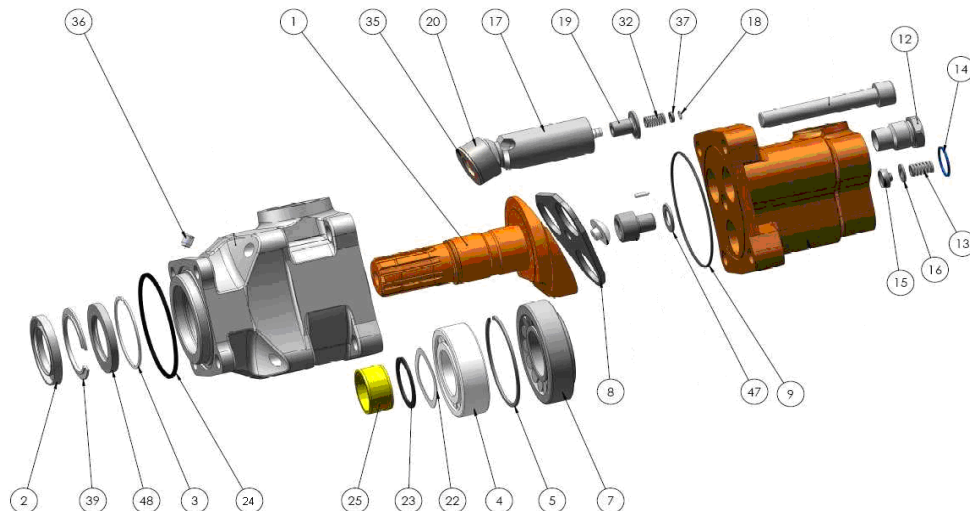
Spare parts for repair the pump PA32_0511515
 Kit de pièces pour réparer une pompe PA32_0511515

kit	Components / Composants		Reference / Référence	Quantity / Quantité	Item no. / Nr article	Price / Prix
Kit 1: seals / Joints	tube plastique	Plastic tube	310296	1	0	
0512385	Joint viton	Viton lip seal	130362	1	2	
	Circlips	Circlips	151062	1	3	
	Joint torique	O-ring	1411229	1	9	
	Joint aluminium	Aluminum seal	140241	3	14	
	Joint torique	O-ring	1483231	3	14	
	Rondelle ondulée	Washer	170214	1	22	
	Circlips	Circlips	150541	1	23	
	Joint torique	O-ring	1411049	1	24	
	bague	Internal ring	117010	1	25	
	Cartouche carstick	Carstick plug	310295	1	36	
	Rondelle plastique	Plastic washer	0519663	1	39	
	Joint nitrile	Nitrile lip seal	1303601	1	48	
Kit 2: Semelles / Shoes	Semelle bronze	Shoes	059727	3	35	
Kit 3: Pistons	Plaque de rappel	Return plate	0511794	1	8	
0512386	Piston	Piston	0519530	3	17	
	Jonc	Circlips	0516108	3	18	
	Clapet aspiration	Inlet check valve	0515898	3	19	
	Plot acier	Steel shoe	059679	3	20	
	Ressort	Spring	0515901	3	32	
	Rondelle	Washer	0515903	3	37	
Kit 4: Shaft / Arbre	Axe	Shaft	059713	1	1	
	Rondelle	Washer	0512273	1	47	
Kit 5: Bearings / Roulements	Roulement rouleaux	Roller bearing	110328	1	4	
	Circlips	Circlips	151080	1	5	
	Roulement conique	Conical bearing	110640	1	7	
Kit 6: Outlet check valves / Clapets refoulement For pump after 12/2014	Bouchon	Plug	0523032	3	12	
	Joint torique	O-ring	1483231	3	14	
	Ressort	Spring	059721	3	13	
	Clapet refoulement	Outlet check valve	057813	3	15	
	Rondelle	Washer	057814	3	16	
Kit 6.1: Outlet check valves / Clapets refoulement For pump before 12/2014	Bouchon	Plug	059663	3	12	
	Ressort	Spring	059721	3	13	
	Joint aluminium	Aluminum seal	140241	3	14	
	Clapet refoulement	Outlet check valve	057813	3	15	
0512387	Rondelle	Washer	057814	3	16	



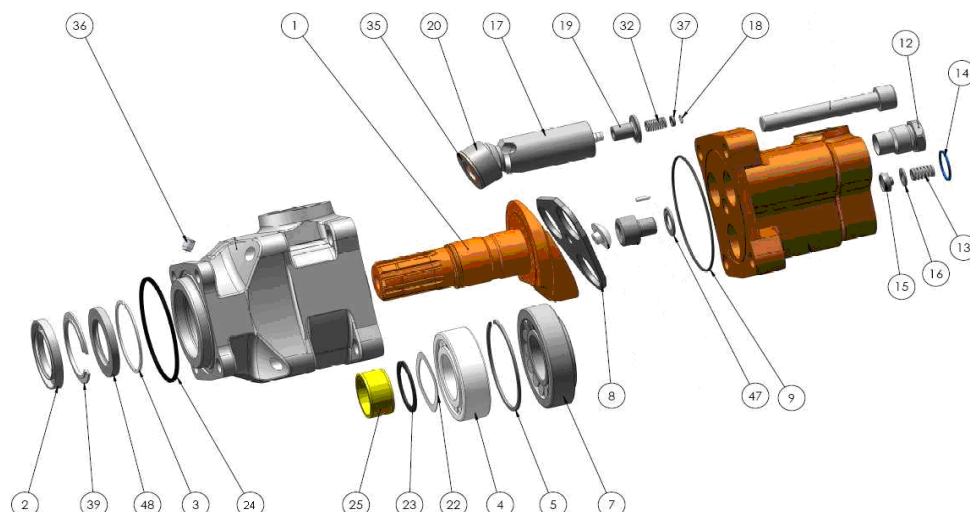
Spare parts for repair the pump PA40_0511520
 Kit de pièces pour réparer une pompe PA40_0511520

kit	Components / Composants		Reference / Référence	Quantity / Quantité	Item no. / Nr article	Price / Prix
Kit 1: seals / Joints	tube plastique	Plastic tube	310296	1	0	
0512385	Joint viton	Viton lip seal	130362	1	2	
	Circlips	Circlips	151062	1	3	
	Joint torique	O-ring	1411229	1	9	
	Joint aluminium	Aluminum seal	140241	3	14	
	Joint torique	O-ring	1483231	3	14	
	Rondelle ondulée	Washer	170214	1	22	
	Circlips	Circlips	150541	1	23	
	Joint torique	O-ring	1411049	1	24	
	bague	Internal ring	117010	1	25	
	Cartouche carstick	Carstick plug	310295	1	36	
	Rondelle plastique	Plastic washer	0519663	1	39	
	Joint nitrile	Nitrile lip seal	1303601	1	48	
Kit 2: Semelles / Shoes	Semelle bronze	Shoes	059727	3	35	
Kit 3: Pistons	Plaque de rappel	Return plate	0511794	1	8	
0512386	Piston	Piston	0519530	3	17	
	Jonc	Circlips	0516108	3	18	
	Clapet aspiration	Inlet check valve	0515898	3	19	
	Plot acier	Steel shoe	059679	3	20	
	Ressort	Spring	0515901	3	32	
	Rondelle	Washer	0515903	3	37	
Kit 4: Shaft / Arbre	Axe	Shaft	059664	1	1	
	Rondelle	Washer	0512273	1	47	
Kit 5: Bearings / Roulements	Roulement rouleaux	Roller bearing	110328	1	4	
	Circlips	Circlips	151080	1	5	
	Roulement conique	Conical bearing	110640	1	7	
Kit 6: Outlet check valves / Clapets refoulement For pump after 12/2014	Bouchon	Plug	0523032	3	12	
	Joint torique	O-ring	1483231	3	14	
	Ressort	Spring	059721	3	13	
	Clapet refoulement	Outlet check valve	057813	3	15	
	Rondelle	Washer	057814	3	16	
Kit 6.1: Outlet check valves / Clapets refoulement For pump before 12/2014	Bouchon	Plug	059663	3	12	
	Ressort	Spring	059721	3	13	
	Joint aluminium	Aluminum seal	140241	3	14	
	Clapet refoulement	Outlet check valve	057813	3	15	
0512387	Rondelle	Washer	057814	3	16	



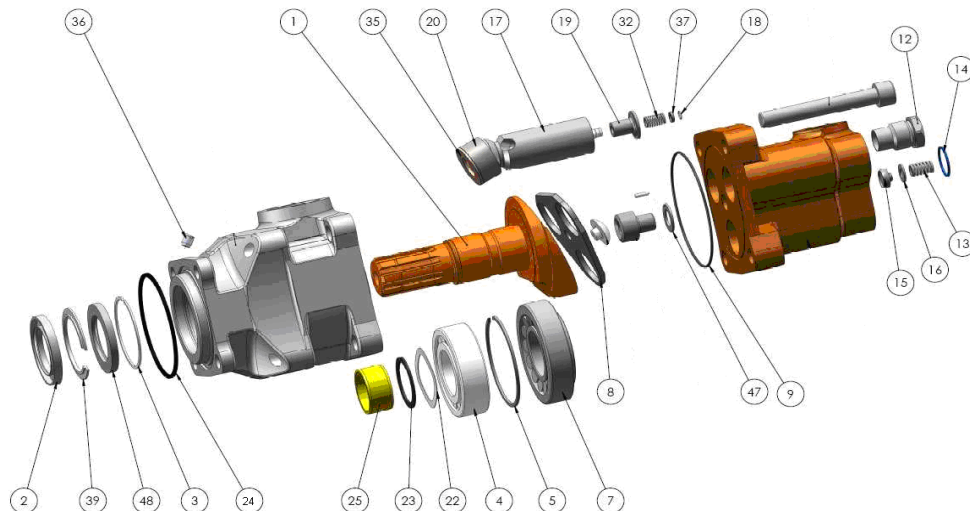
Spare parts for repair the pump PA50_0511525
 Kit de pièces pour réparer une pompe PA50_0511525

kit	Components / Composants		Reference / Référence	Quantity / Quantité	Item no. / Nr article	Price / Prix
Kit 1: seals / Joints	tube plastique	Plastic tube	310296	1	0	
0512385	Joint viton	Viton lip seal	130362	1	2	
	Circlips	Circlips	151062	1	3	
	Joint torique	O-ring	1411229	1	9	
	Joint aluminium	Aluminum seal	140241	3	14	
	Joint torique	O-ring	1483231	3	14	
	Rondelle ondulée	Washer	170214	1	22	
	Circlips	Circlips	150541	1	23	
	Joint torique	O-ring	1411049	1	24	
	bague	Internal ring	117010	1	25	
	Cartouche carstick	Carstick plug	310295	1	36	
	Rondelle plastique	Plastic washer	0519663	1	39	
	Joint nitrile	Nitrile lip seal	1303601	1	48	
Kit 2: Semelles / Shoes	Semelle bronze	Shoes	059727	3	35	
Kit 3: Pistons	Plaque de rappel	Return plate	0511794	1	8	
0512386	Piston	Piston	0519530	3	17	
	Jonc	Circlips	0516108	3	18	
	Clapet aspiration	Inlet check valve	0515898	3	19	
	Plot acier	Steel shoe	059679	3	20	
	Ressort	Spring	0515901	3	32	
	Rondelle	Washer	0515903	3	37	
Kit 4: Shaft / Arbre	Axe	Shaft	059676	1	1	
	Rondelle	Washer	0512273	1	47	
Kit 5: Bearings / Roulements	Roulement rouleaux	Roller bearing	110328	1	4	
	Circlips	Circlips	151080	1	5	
	Roulement conique	Conical bearing	110640	1	7	
Kit 6: Outlet check valves / Clapets refoulement For pump after 12/2014	Bouchon	Plug	0523032	3	12	
	Joint torique	O-ring	1483231	3	14	
	Ressort	Spring	059721	3	13	
	Clapet refoulement	Outlet check valve	057813	3	15	
	Rondelle	Washer	057814	3	16	
Kit 6.1: Outlet check valves / Clapets refoulement For pump before 12/2014	Bouchon	Plug	059663	3	12	
	Ressort	Spring	059721	3	13	
	Joint aluminium	Aluminum seal	140241	3	14	
	Clapet refoulement	Outlet check valve	057813	3	15	
0512387	Rondelle	Washer	057814	3	16	



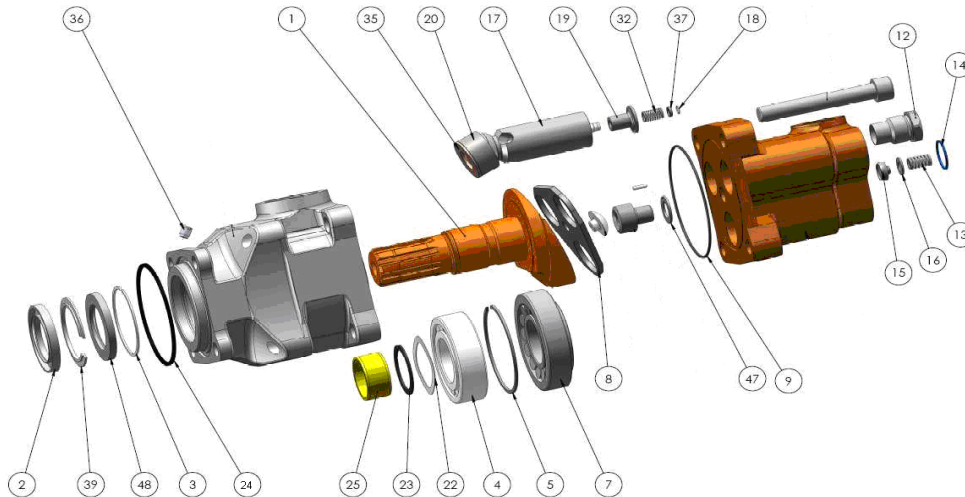
Spare parts for repair the pump PA63_0511530
Kit de pièces pour réparer une pompe PA63_0511530

kit	Components / Composants		Reference / Référence	Quantity / Quantité	Item no. / Nr article	Price / Prix
Kit 1: seals / Joints	tube plastique	Plastic tube	310296	1	0	
	Joint viton	Viton lip seal	130362	1	2	
	Circlips	Circlips	151062	1	3	
	Joint torique	O-ring	148240	1	9	
	Joint aluminium	Aluminum seal	140241	5	14	
	Joint torique	O-ring	1483231	5	14	
	Rondelle ondulée	Washer	170214	1	22	
	Circlips	Circlips	150541	1	23	
	Joint torique	O-ring	1411049	1	24	
	bague	Internal ring	117010	1	25	
	Cartouche carstick	Carstick plug	310295	1	36	
	Rondelle plastique	Plastic washer	0519663	1	39	
	Joint nitrile	Nitrile lip seal	1303601	1	48	
Kit 2: Semelles	Semelle bronze	Shoes	059727	5	35	
Kit 3: Pistons	Plaque de rappel	Return plate	0511852	1	8	
	Piston	Piston	0519530	5	17	
	Jonc	Circlips	0516108	5	18	
	Clapet aspiration	Inlet check valve	0515898	5	19	
	Plot acier	Steel shoe	059679	5	20	
	Ressort	Spring	0515901	5	32	
	Rondelle	Washer	0515903	5	37	
Kit 4: Shaft / Arbre	Axe	Shaft	059717	1	1	
	Rondelle	Washer	0512273	1	47	
Kit 5: bearings / Roulements	Roulement rouleaux	Roller bearing	110328	1	4	
	Circlips	Circlips	151080	1	5	
	Roulement conique	Conical bearing	110700	1	7	
Kit 6: Outlet check valves / Clapets refoulement For pump after 12/2014	Bouchon	Plug	0523032	5	12	
	Joint torique	O-ring	1483231	5	14	
	Ressort	Spring	059721	5	13	
	Clapet refoulement	Outlet check valve	057813	5	15	
	Rondelle	Washer	057814	5	16	
Kit 6.1: Outlet check valves / Clapets refoulement For pump before 12/2014	Bouchon	Plug	059663	5	12	
	Ressort	Spring	059721	5	13	
	Joint aluminium	Aluminum seal	140241	5	14	
	Clapet refoulement	Outlet check valve	057813	5	15	
	Rondelle	Washer	057814	5	16	



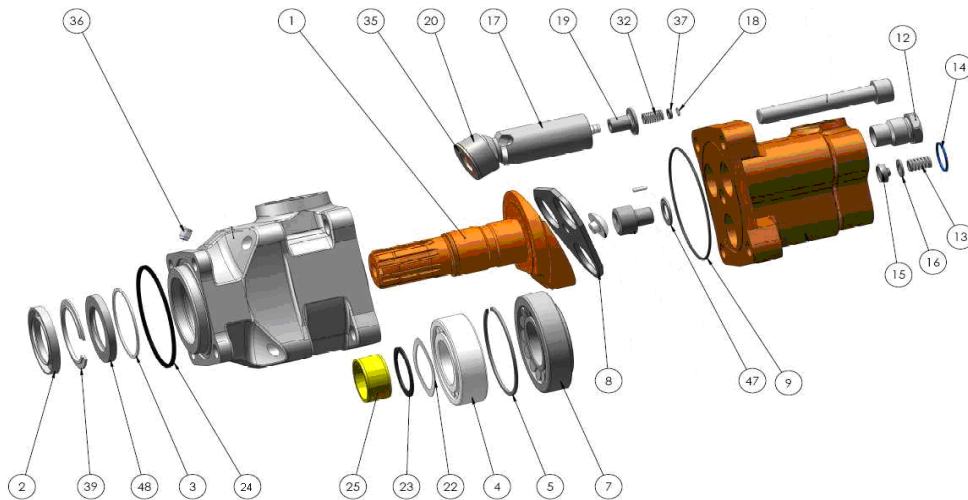
Spare parts for repair the pump PA80_0511535
 Kit de pièces pour réparer une pompe PA80_0511535

kit	Components / Composants		Reference / Référence	Quantity / Quantité	Item no. / Nr article	Price / Prix
0512445	Kit 1: seals / Joints	tube plastique	Plastic tube	310296	1	0
	Joint viton	Viton lip seal	130362	1	2	
	Circlips	Circlips	151062	1	3	
	Joint torique	O-ring	148240	1	9	
	Joint aluminium	Aluminum seal	140241	5	14	
	Joint torique	O-ring	1483231	5	14	
	Rondelle ondulée	Washer	170214	1	22	
	Circlips	Circlips	150541	1	23	
	Joint torique	O-ring	1411049	1	24	
	bague	Internal ring	117010	1	25	
	Cartouche carstick	Carstick plug	310295	1	36	
	Rondelle plastique	Plastic washer	0519663	1	39	
	Joint nitrile	Nitrile lip seal	1303601	1	48	
Kit 2: Semelles	Semelle bronze	Shoes	059727	5	35	
0512446	Kit 3: Pistons	Plaque de rappel	Return plate	0511852	1	8
	Piston	Piston	0519530	5	17	
	Jonc	Circlips	0516108	5	18	
	Clapet aspiration	Inlet check valve	0515898	5	19	
	Plot acier	Steel shoe	059679	5	20	
	Ressort	Spring	0515901	5	32	
	Rondelle	Washer	0515903	5	37	
Kit 4: Shaft / Arbre	Axe	Shaft	059901	1	1	
	Rondelle	Washer	0512273	1	47	
Kit 5: bearings / Roulements	Roulement rouleaux	Roller bearing	110328	1	4	
	Circlips	Circlips	151080	1	5	
	Roulement conique	Conical bearing	110700	1	7	
Kit 6: Outlet check valves / Clapets refoulement For pump after 12/2014	Bouchon	Plug	0523032	5	12	
	Joint torique	O-ring	1483231	5	14	
	Ressort	Spring	059721	5	13	
	Clapet refoulement	Outlet check valve	057813	5	15	
	Rondelle	Washer	057814	5	16	
Kit 6.1: Outlet check valves / Clapets refoulement For pump before 12/2014	Bouchon	Plug	059663	5	12	
	Ressort	Spring	059721	5	13	
	Joint aluminium	Aluminum seal	140241	5	14	
	Clapet refoulement	Outlet check valve	057813	5	15	
	Rondelle	Washer	057814	5	16	



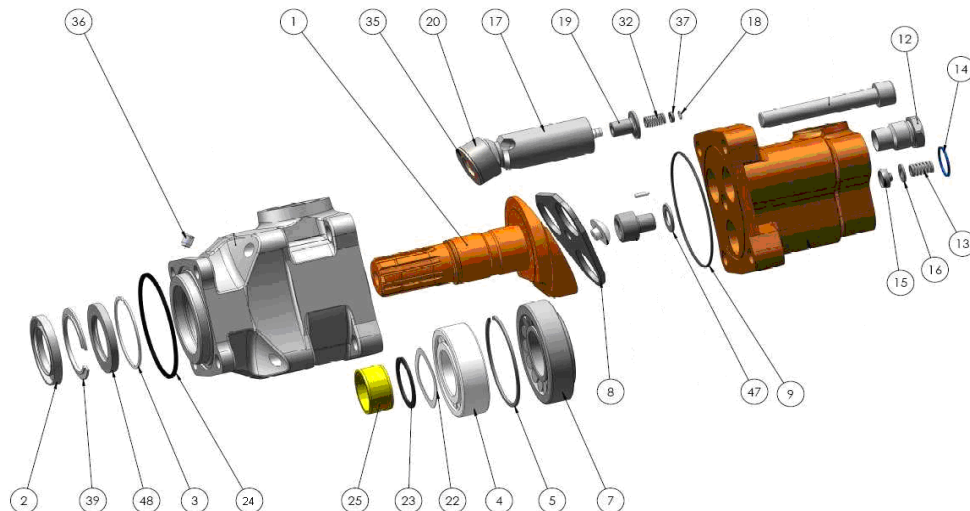
Spare parts for repair the pump PA100_0511565
Kit de pièces pour réparer une pompe PA100_0511565

kit	Components / Composants		Reference / Référence	Quantity / Quantité	Item no. / Nr article	Price / Prix
0512455	tube plastique	Plastic tube	310296	1	0	
	Joint viton	Viton lip seal	130362	1	2	
	Circlips	Circlips	151062	1	3	
	Joint torique	O-ring	148240	1	9	
	Joint aluminium	Aluminum seal	140241	6	14	
	Joint torique	O-ring	1483231	5	14	
	Rondelle ondulée	Washer	170214	1	22	
	Circlips	Circlips	150541	1	23	
	Joint torique	O-ring	1411049	1	24	
	bague	Internal ring	117010	1	25	
	Cartouche carstick	Carstick plug	310295	1	36	
	Rondelle plastique	Plastic washer	0519663	1	39	
	Joint nitrile	Nitrile lip seal	1303601	1	48	
Kit 2: Semelles	Semelle bronze	Shoes	059727	6	35	
0512456	Plaque de rappel	Return plate	0511793	1	8	
	Piston	Piston	0519530	6	17	
	Jonc	Circlips	0516108	6	18	
	Clapet aspiration	Inlet check valve	0515898	6	19	
	Plot acier	Steel shoe	059679	6	20	
	Ressort	Spring	0515901	6	32	
	Rondelle	Washer	0515903	6	37	
Kit 4: Shaft / Arbre	Axe	Shaft	059901	1	1	
	Rondelle	Washer	0512273	1	47	
Kit 5: bearings / Roulements	Roulement rouleaux	Roller bearing	110328	1	4	
	Circlips	Circlips	151080	1	5	
	Roulement conique	Conical bearing	110700	1	7	
Kit 6: Outlet check valves / Clapets refoulement For pump after 12/2014	Bouchon	Plug	0523032	6	12	
	Joint torique	O-ring	1483231	6	14	
	Ressort	Spring	059721	6	13	
	Clapet refoulement	Outlet check valve	057813	6	15	
	Rondelle	Washer	057814	6	16	
Kit 6.1: Outlet check valves / Clapets refoulement For pump before 12/2014	Bouchon	Plug	059663	6	12	
	Ressort	Spring	059721	6	13	
	Joint aluminium	Aluminum seal	140241	6	14	
	Clapet refoulement	Outlet check valve	057813	6	15	
	Rondelle	Washer	057814	6	16	



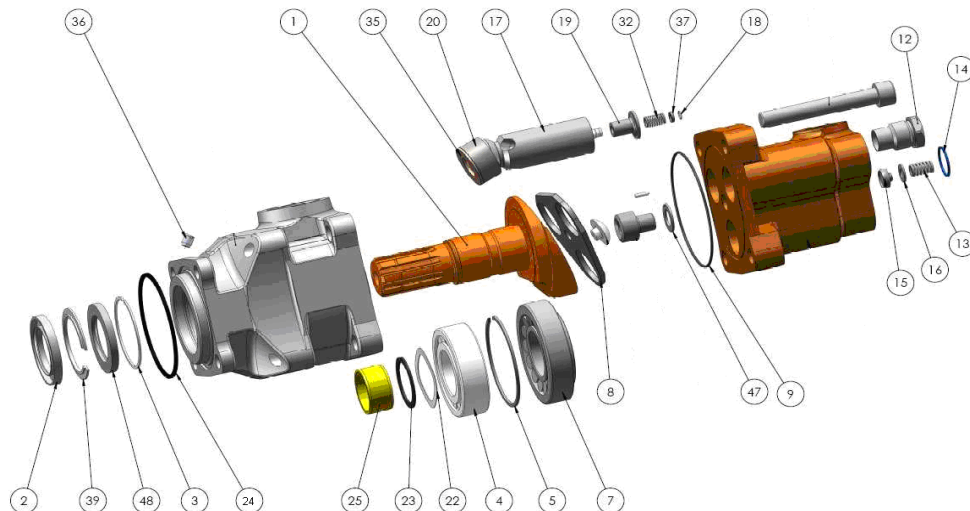
Spare parts for repair the pump PA114_0511570
Kit de pièces pour réparer une pompe PA114_0511570

kit	Components / Composants		Reference / Référence	Quantity / Quantité	Item no. / Nr article	Price / Prix
Kit 1: seals / Joints 0512455	tube plastique	Plastic tube	310296	1	0	
	Joint viton	Viton lip seal	130362	1	2	
	Circlips	Circlips	151062	1	3	
	Joint torique	O-ring	148240	1	9	
	Joint aluminium	Aluminum seal	140241	6	14	
	Joint torique	O-ring	1483231	5	14	
	Rondelle ondulée	Washer	170214	1	22	
	Circlips	Circlips	150541	1	23	
	Joint torique	O-ring	1411049	1	24	
	bague	Internal ring	117010	1	25	
	Cartouche carstick	Carstick plug	310295	1	36	
	Rondelle plastique	Plastic washer	0519663	1	39	
	Joint nitrile	Nitrile lip seal	1303601	1	48	
Kit 2: Semelles	Semelle bronze	Shoes	059727	6	35	
Kit 3: Pistons 0512456	Plaque de rappel	Return plate	0511793	1	8	
	Piston	Piston	0519530	6	17	
	Jonc	Circlips	0516108	6	18	
	Clapet aspiration	Inlet check valve	0515898	6	19	
	Plot acier	Steel shoe	059679	6	20	
	Ressort	Spring	0515901	6	32	
	Rondelle	Washer	0515903	6	37	
Kit 4: Shaft / Arbre	Axe	Shaft	059708	1	1	
	Rondelle	Washer	0512273	1	47	
Kit 5: bearings / Roulements	Roulement rouleaux	Roller bearing	110328	1	4	
	Circlips	Circlips	151080	1	5	
	Roulement conique	Conical bearing	110700	1	7	
Kit 6: Outlet check valves / Clapets refoulement For pump after 12/2014	Bouchon	Plug	0523032	6	12	
	Joint torique	O-ring	1483231	6	14	
	Ressort	Spring	059721	6	13	
	Clapet refoulement	Outlet check valve	057813	6	15	
	Rondelle	Washer	057814	6	16	
Kit 6.1: Outlet check valves / Clapets refoulement For pump before 12/2014	Bouchon	Plug	059663	6	12	
	Ressort	Spring	059721	6	13	
	Joint aluminium	Aluminum seal	140241	6	14	
	Clapet refoulement	Outlet check valve	057813	6	15	
	Rondelle	Washer	057814	6	16	



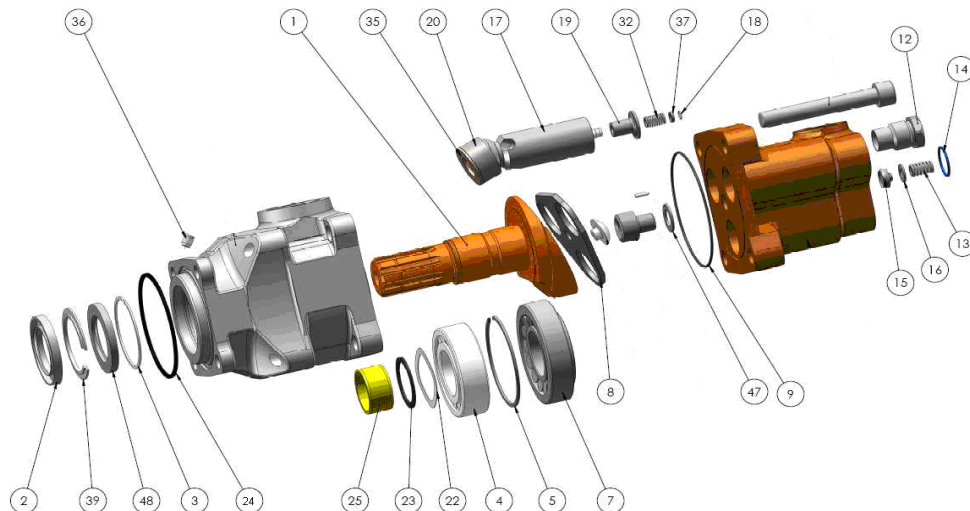
Spare parts for repair the pump PA2x32_0511545
Kit de pièces pour réparer une pompe PA2x32_0511545

kit	Components / Composants		Reference / Référence	Quantity / Quantité	Item no. / Nr article	Price / Prix
Kit 1: seals / Joints 0512455	tube plastique	Plastic tube	310296	1	0	
	Joint viton	Viton lip seal	130362	1	2	
	Circlips	Circlips	151062	1	3	
	Joint torique	O-ring	148240	1	9	
	Joint aluminium	Aluminum seal	140241	6	14	
	Joint torique	O-ring	1483231	5	14	
	Rondelle ondulée	Washer	170214	1	22	
	Circlips	Circlips	150541	1	23	
	Joint torique	O-ring	1411049	1	24	
	bague	Internal ring	117010	1	25	
	Cartouche carstick	Carstick plug	310295	1	36	
	Rondelle plastique	Plastic washer	0519663	1	39	
	Joint nitrile	Nitrile lip seal	1303601	1	48	
Kit 2: Semelles	Semelle bronze	Shoes	059727	6	35	
Kit 3: Pistons 0512456	Plaque de rappel	Return plate	0511793	1	8	
	Piston	Piston	0519530	6	17	
	Jonc	Circlips	0516108	6	18	
	Clapet aspiration	Inlet check valve	0515898	6	19	
	Plot acier	Steel shoe	059679	6	20	
	Ressort	Spring	0515901	6	32	
	Rondelle	Washer	0515903	6	37	
Kit 4: Shaft / Arbre	Axe	Shaft	059716	1	1	
	Rondelle	Washer	0512273	1	47	
Kit 5: bearings / Roulements	Roulement rouleaux	Roller bearing	110328	1	4	
	Circlips	Circlips	151080	1	5	
	Roulement conique	Conical bearing	110700	1	7	
Kit 6: Outlet check valves / Clapets refoulement For pump after 12/2014	Bouchon	Plug	0523032	6	12	
	Joint torique	O-ring	1483231	6	14	
	Ressort	Spring	059721	6	13	
	Clapet refoulement	Outlet check valve	057813	6	15	
	Rondelle	Washer	057814	6	16	
Kit 6.1: Outlet check valves / Clapets refoulement For pump before 12/2014	Bouchon	Plug	059663	6	12	
	Ressort	Spring	059721	6	13	
	Joint aluminium	Aluminum seal	140241	6	14	
	Clapet refoulement	Outlet check valve	057813	6	15	
	Rondelle	Washer	057814	6	16	



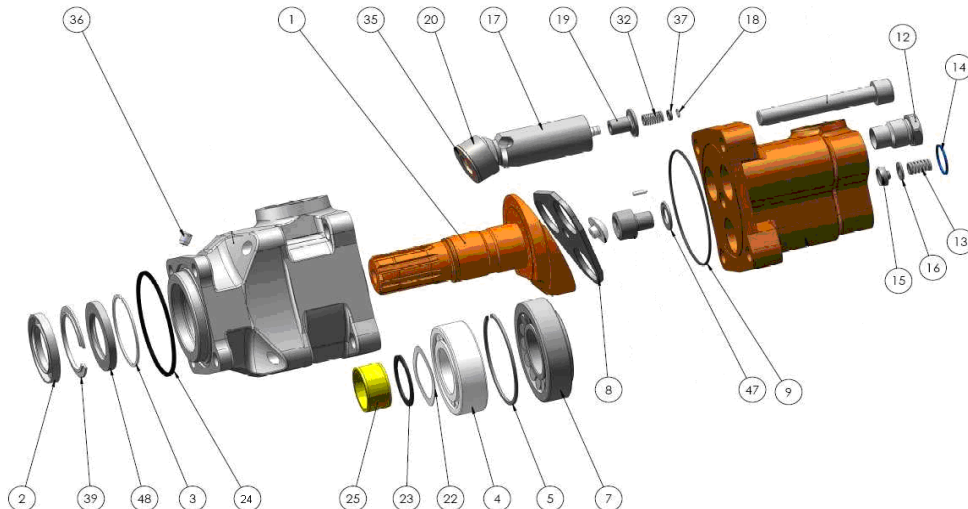
Spare parts for repair the pump PA2x40_0511550
Kit de pièces pour réparer une pompe PA2x40_0511550

kit	Components / Composants		Reference / Référence	Quantity / Quantité	Item no. / Nr article	Price / Prix
Kit 1: seals / Joints 0512455	tube plastique	Plastic tube	310296	1	0	
	Joint viton	Viton lip seal	130362	1	2	
	Circlips	Circlips	151062	1	3	
	Joint torique	O-ring	148240	1	9	
	Joint aluminium	Aluminum seal	140241	6	14	
	Joint torique	O-ring	1483231	5	14	
	Rondelle ondulée	Washer	170214	1	22	
	Circlips	Circlips	150541	1	23	
	Joint torique	O-ring	1411049	1	24	
	bague	Internal ring	117010	1	25	
	Cartouche carstick	Carstick plug	310295	1	36	
	Rondelle plastique	Plastic washer	0519663	1	39	
Joint nitrile	Nitrile lip seal	1303601	1	48		
Kit 2: Semelles	Semelle bronze	Shoes	059727	6	35	
Kit 3: Pistons 0512456	Plaque de rappel	Return plate	0511793	1	8	
	Piston	Piston	0519530	6	17	
	Jonc	Circlips	0516108	6	18	
	Clapet aspiration	Inlet check valve	0515898	6	19	
	Plot acier	Steel shoe	059679	6	20	
	Ressort	Spring	0515901	6	32	
	Rondelle	Washer	0515903	6	37	
Kit 4: Shaft / Arbre	Axe	Shaft	059717	1	1	
	Rondelle	Washer	0512273	1	47	
Kit 5: bearings / Roulements	Roulement rouleaux	Roller bearing	110328	1	4	
	Circlips	Circlips	151080	1	5	
	Roulement conique	Conical bearing	110700	1	7	
Kit 6: Outlet check valves / Clapets refoulement For pump after 12/2014	Bouchon	Plug	0523032	6	12	
	Joint torique	O-ring	1483231	6	14	
	Ressort	Spring	059721	6	13	
	Clapet refoulement	Outlet check valve	057813	6	15	
	Rondelle	Washer	057814	6	16	
Kit 6.1: Outlet check valves / Clapets refoulement For pump before 12/2014	Bouchon	Plug	059663	6	12	
	Ressort	Spring	059721	6	13	
	Joint aluminium	Aluminum seal	140241	6	14	
	Clapet refoulement	Outlet check valve	057813	6	15	
	Rondelle	Washer	057814	6	16	



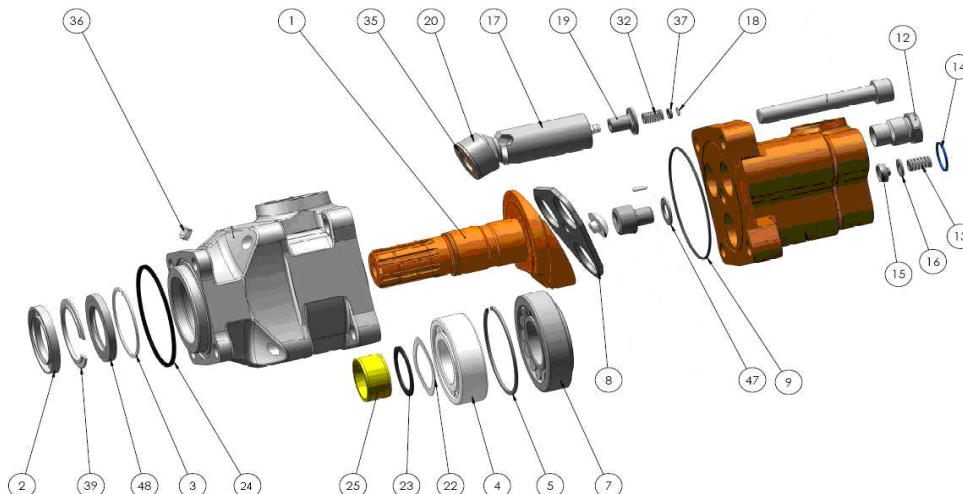
Spare parts for repair the pump PA2x50_0511555
 Kit de pièces pour réparer une pompe PA2x50_0511555

kit	Components / Composants		Reference / Référence	Quantity / Quantité	Item no. / Nr article	Price / Prix
0512455	Kit 1: seals / Joints	tube plastique	Plastic tube	310296	1	0
		Joint viton	Viton lip seal	130362	1	2
		Circlips	Circlips	151062	1	3
		Joint torique	O-ring	148240	1	9
		Joint aluminium	Aluminum seal	140241	6	14
		Joint torique	O-ring	1483231	5	14
		Rondelle ondulée	Washer	170214	1	22
		Circlips	Circlips	150541	1	23
		Joint torique	O-ring	1411049	1	24
		bague	Internal ring	117010	1	25
		Cartouche carstick	Carstick plug	310295	1	36
		Rondelle plastique	Plastic washer	0519663	1	39
		Joint nitrile	Nitrile lip seal	1303601	1	48
0512456	Kit 2: Semelles	Semelle bronze	Shoes	059727	6	35
0512456	Kit 3: Pistons	Plaque de rappel	Return plate	0511793	1	8
		Piston	Piston	0519530	6	17
		Jonc	Circlips	0516108	6	18
		Clapet aspiration	Inlet check valve	0515898	6	19
		Plot acier	Steel shoe	059679	6	20
		Ressort	Spring	0515901	6	32
		Rondelle	Washer	0515903	6	37
0512457	Kit 4: Shaft / Arbre	Axe	Shaft	059901	1	1
		Rondelle	Washer	0512273	1	47
0512457	Kit 5: bearings / Roulements	Roulement rouleaux	Roller bearing	110328	1	4
		Circlips	Circlips	151080	1	5
		Roulement conique	Conical bearing	110700	1	7
0512457	Kit 6: Outlet check valves / Clapets refoulement For pump after 12/2014	Bouchon	Plug	0523032	6	12
		Joint torique	O-ring	1483231	6	14
		Ressort	Spring	059721	6	13
		Clapet refoulement	Outlet check valve	057813	6	15
		Rondelle	Washer	057814	6	16
0512457	Kit 6.1: Outlet check valves / Clapets refoulement For pump before 12/2014	Bouchon	Plug	059663	6	12
		Ressort	Spring	059721	6	13
		Joint aluminium	Aluminum seal	140241	6	14
		Clapet refoulement	Outlet check valve	057813	6	15
		Rondelle	Washer	057814	6	16



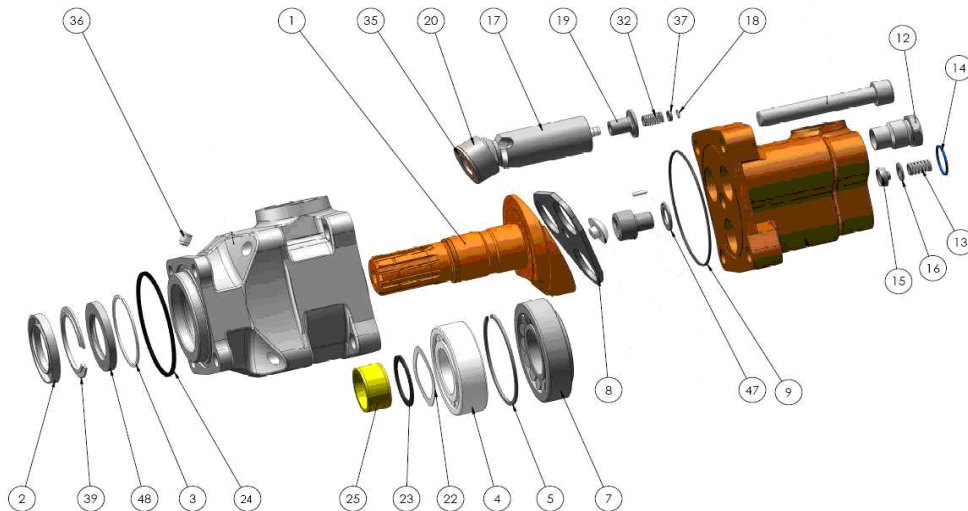
Spare parts for repair the pump PA2x57_0511560
 Kit de pièces pour réparer une pompe PA2x57_0511560

kit	Components / Composants		Reference / Référence	Quantity / Quantité	Item no. / Nr article	Price / Prix
0512455	Kit 1: seals / Joints	tube plastique	Plastic tube	310296	1	0
		Joint viton	Viton lip seal	130362	1	2
		Circlips	Circlips	151062	1	3
		Joint torique	O-ring	148240	1	9
		Joint aluminium	Aluminum seal	140241	6	14
		Joint torique	O-ring	1483231	5	14
		Rondelle ondulée	Washer	170214	1	22
		Circlips	Circlips	150541	1	23
		Joint torique	O-ring	1411049	1	24
		bague	Internal ring	117010	1	25
		Cartouche carstick	Carstick plug	310295	1	36
		Rondelle plastique	Plastic washer	0519663	1	39
	Joint nitrile	Nitrile lip seal	1303601	1	48	
Kit 2: Semelles	Semelle bronze	Shoes	059727	6	35	
0512456	Kit 3: Pistons	Plaque de rappel	Return plate	0511793	1	8
		Piston	Piston	0519530	6	17
		Jonc	Circlips	0516108	6	18
		Clapet aspiration	Inlet check valve	0515898	6	19
		Plot acier	Steel shoe	059679	6	20
		Ressort	Spring	0515901	6	32
		Rondelle	Washer	0515903	6	37
Kit 4: Shaft / Arbre	Axe	Shaft	059708	1	1	
	Rondelle	Washer	0512273	1	47	
Kit 5: bearings / Roulements	Roulement rouleaux	Roller bearing	110328	1	4	
	Circlips	Circlips	151080	1	5	
	Roulement conique	Conical bearing	110700	1	7	
Kit 6: Outlet check valves / Clapets refoulement For pump after 12/2014	Bouchon	Plug	0523032	6	12	
	Joint torique	O-ring	1483231	6	14	
	Ressort	Spring	059721	6	13	
	Clapet refoulement	Outlet check valve	057813	6	15	
	Rondelle	Washer	057814	6	16	
Kit 6.1: Outlet check valves / Clapets refoulement For pump before 12/2014	Bouchon	Plug	059663	6	12	
	Ressort	Spring	059721	6	13	
	Joint aluminium	Aluminum seal	140241	6	14	
	Clapet refoulement	Outlet check valve	057813	6	15	
	Rondelle	Washer	057814	6	16	



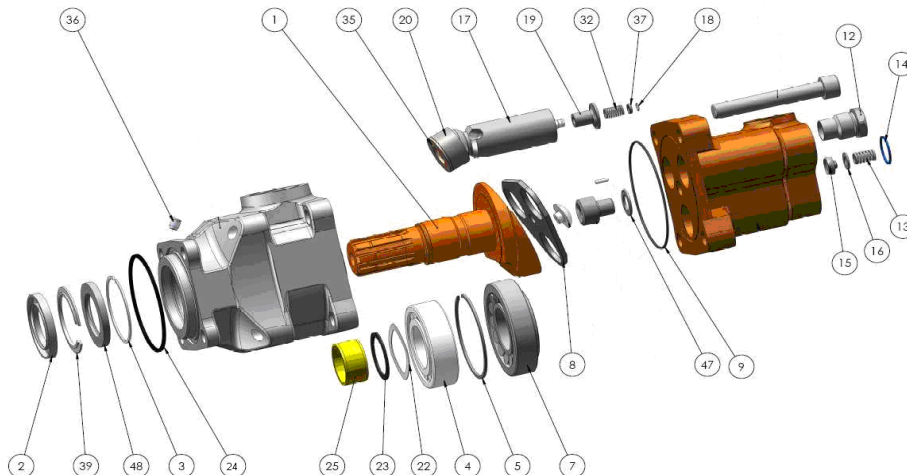
Spare parts for repair the pump PA2x75_0516100
 Kit de pièces pour réparer une pompe PA2x75_0516100

kit	Components / Composants		Reference / Référence	Quantity / Quantité	Item no. / Nr article	Price / Prix
Kit 1: seals / Joints 0512455	tube plastique	Plastic tube	310296	1	0	
	Joint viton	Viton lip seal	130362	1	2	
	Circlips	Circlips	151062	1	3	
	Joint torique	O-ring	1488561	1	9	
	Joint aluminium	Aluminum seal	140241	6	14	
	Joint torique	O-ring	1483231	5	14	
	Rondelle ondulée	Washer	170214	1	22	
	Circlips	Circlips	150541	1	23	
	Joint torique	O-ring	1411049	1	24	
	bague	Internal ring	117010	1	25	
	Cartouche carstick	Carstick plug	310295	1	36	
	Rondelle plastique	Plastic washer	0519663	1	39	
	Joint nitrile	Nitrile lip seal	1303601	1	48	
Kit 2: Semelles	Semelle bronze	Shoes	059727	6	35	
Kit 3: Pistons 0512637	Plaque de rappel	Return plate	0516107	1	8	
	Piston	Piston	0519520	6	17	
	Jonc	Circlips	0516108	6	18	
	Clapet aspiration	Inlet check valve	0515895	6	19	
	Plot acier	Steel shoe	059679	6	20	
	Ressort	Spring	0515901	6	32	
	Rondelle	Washer	0515903	6	37	
Kit 4: Shaft / Arbre	Axe	Shaft	0516105	1	1	
	Rondelle	Washer	0512273	1	47	
Kit 5: bearings / Roulements	Roulement rouleaux	Roller bearing	110328	1	4	
	Circlips	Circlips	151080	1	5	
	Roulement conique	Conical bearing	118151	1	7	
Kit 6: Outlet check valves / Clapets refoulement For pump after 12/2014	Bouchon	Plug	0523032	6	12	
	Joint torique	O-ring	1483231	6	14	
	Ressort	Spring	059721	6	13	
	Clapet refoulement	Outlet check valve	057813	6	15	
	Rondelle	Washer	057814	6	16	
Kit 6.1: Outlet check valves / Clapets refoulement For pump before 12/2014 0512457	Bouchon	Plug	059663	6	12	
	Ressort	Spring	059721	6	13	
	Joint aluminium	Aluminum seal	140241	6	14	
	Clapet refoulement	Outlet check valve	057813	6	15	
	Rondelle	Washer	057814	6	16	



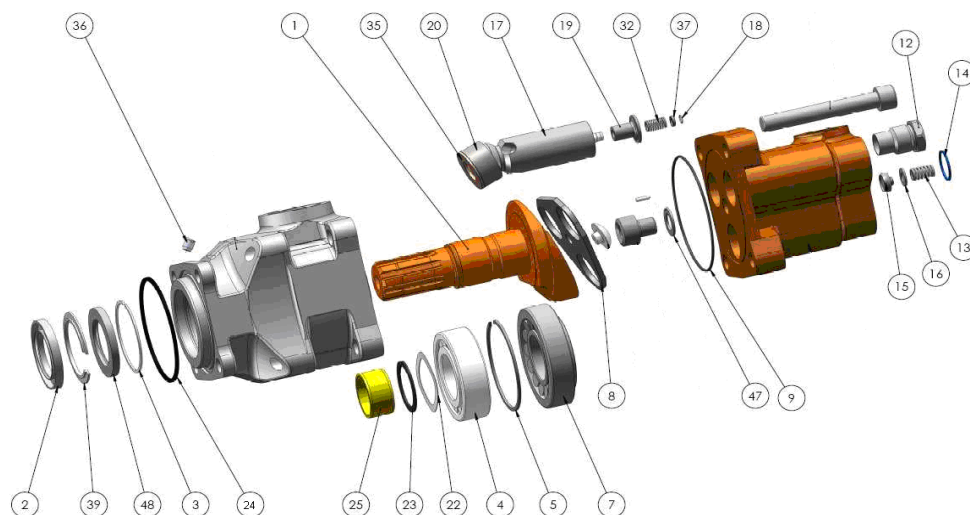
Spare parts for repair the pump PA75x40_0516810
 Kit de pièces pour réparer une pompe PA75x40_0516810

kit	Components / Composants		Reference / Référence	Quantity / Quantité	Item no. / Nr article	Price / Prix
Kit 1: seals / Joints 0512455	tube plastique	Plastic tube	310296	1	0	
	Joint viton	Viton lip seal	130362	1	2	
	Circlips	Circlips	151062	1	3	
	Joint torique	O-ring	1488561	1	9	
	Joint aluminium	Aluminum seal	140241	6	14	
	Joint torique	O-ring	1483231	5	14	
	Rondelle ondulée	Washer	170214	1	22	
	Circlips	Circlips	150541	1	23	
	Joint torique	O-ring	1411049	1	24	
	bague	Internal ring	117010	1	25	
	Cartouche carstick	Carstick plug	310295	1	36	
	Rondelle plastique	Plastic washer	0519663	1	39	
Joint nitrile	Nitrile lip seal	1303601	1	48		
Kit 2: Semelles / Shoes	Semelle bronze	Shoes	059727	3	35	
	Semelle bronze	Shoes	0511501	3	42	
Kit 3: Pistons	Plaque de rappel	Return plate	0516812	1	8	
	Piston	Piston	0519520	3	17	
	Piston	Piston	0519540	3	38	
	Jonc	Circlips	0516108	6	18	
	Clapet aspiration	Inlet check valve	0515895	3	19	
	Clapet aspiration	Inlet check valve	0518477	3	41	
	Plot acier	Steel shoe	059679	3	20	
	Plot acier	Steel shoe	0516813	3	37	
	Ressort	Spring	0515901	6	39	
Rondelle	Washer	0515903	6	37		
Kit 4: Drive shaft / Axe	Axe	Shaft	0516105	1	1	
	Rondelle	Washer	0512273	1	47	
Kit 5: Bearings / Roulements	Roulement rouleaux	Roller bearing	110328	1	4	
	Circlips	Circlips	151080	1	5	
	Roulement conique	Conical bearing	118151	1	7	
Kit 6: Outlet check valves / Clapets refoulement For pump after 12/2014	Bouchon	Plug	0523032	6	12	
	Joint torique	O-ring	1483231	6	14	
	Ressort	Spring	059721	6	13	
	Clapet refoulement	Outlet check valve	057813	6	15	
	Rondelle	Washer	057814	6	16	
Kit 6.1: Outlet check valves / Clapets refoulement For pump before 12/2014 0512457	Bouchon	Plug	059663	6	12	
	Ressort	Spring	059721	6	13	
	Joint aluminium	Aluminum seal	140241	6	14	
	Clapet refoulement	Outlet check valve	057813	6	15	
	Rondelle	Washer	057814	6	16	



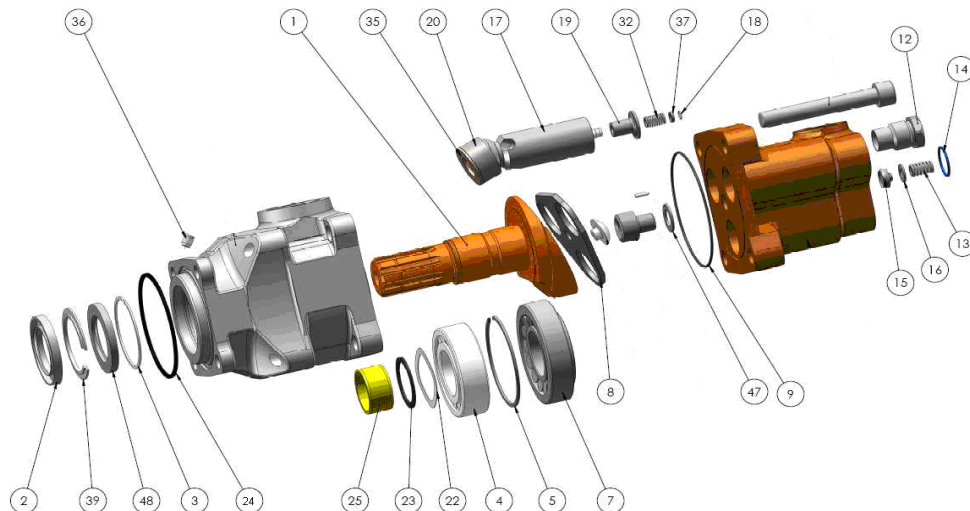
Spare parts for repair the pump PAC25_0511470
 Kit de pièces pour réparer une pompe PAC25_0511470

kit	Components / Composants		Reference / Référence	Quantity / Quantité	Item no. / Nr article	Price / Prix
Kit 1: seals / Joints	tube plastique	Plastic tube	310296	1	0	
0512535	Joint viton	Viton lip seal	130362	1	2	
	Circlips	Circlips	151062	1	3	
	Joint torique	O-ring	145089	1	9	
	Joint aluminium	Aluminum seal	140241	5	14	
	Joint torique	O-ring	1483231	5	14	
	Rondelle ondulée	Washer	170214	1	22	
	Circlips	Circlips	150541	1	23	
	Joint torique	O-ring	1411049	1	24	
	bague	Internal ring	117010	1	25	
	Cartouche carstick	Carstick plug	310295	1	36	
	Rondelle plastique	Plastic washer	0519663	1	39	
	Joint nitrile	Nitrile lip seal	1303601	1	48	
Kit 2: Semelles / Shoes	Semelle bronze	Shoes	059994	5	35	
Kit 3: Pistons	Plaque de rappel	Return plate	0511844	1	8	
0512536	Piston	Piston	0519550	5	17	
	Jonc	Circlips	0516108	5	18	
	Clapet aspiration	Inlet check valve	0518477	5	19	
	Plot acier	Steel shoe	059978	5	20	
	Ressort	Spring	0515901	5	32	
	Rondelle	Washer	0515903	5	37	
Kit 4: Shaft / Arbre	Axe	Shaft	059987	1	1	
	Rondelle	Washer	0512273	1	47	
Kit 5: Bearings / Roulements	Roulement rouleaux	Roller bearing	110328	1	4	
	Circlips	Circlips	151080	1	5	
	Roulement conique	Conical bearing	110640	1	7	
Kit 6: Outlet check valves / Clapets refoulement For pump after 12/2014	Bouchon	Plug	0523033	5	12	
	Joint torique	O-ring	1483231	5	14	
	Ressort	Spring	052158	5	13	
	Clapet refoulement	Outlet check valve	057813	5	15	
	Rondelle	Washer	057814	5	16	
Kit 6.1: Outlet check valves / Clapets refoulement For pump before 12/2014	Bouchon	Plug	052157	5	12	
	Ressort	Spring	052158	5	13	
	Joint aluminium	Aluminum seal	140241	5	14	
	Clapet refoulement	Outlet check valve	057813	5	15	
0512537	Rondelle	Washer	057814	5	16	



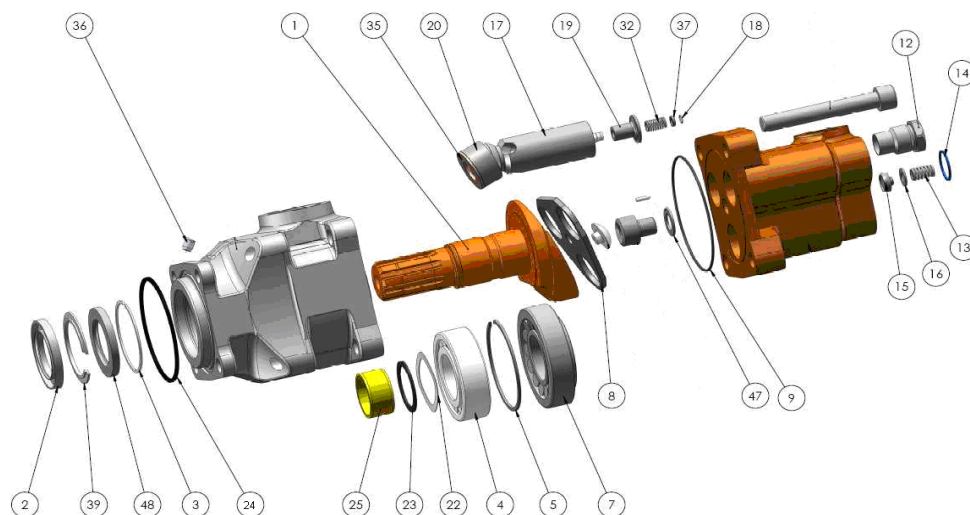
Spare parts for repair the pump PAC40_0511460
 Kit de pièces pour réparer une pompe PAC40_0511460

kit	Components / Composants		Reference / Référence	Quantity / Quantité	Item no. / Nr article	Price / Prix
Kit 1: seals / Joints	tube plastique	Plastic tube	310296	1	0	
0512535	Joint viton	Viton lip seal	130362	1	2	
	Circlips	Circlips	151062	1	3	
	Joint torique	O-ring	145089	1	9	
	Joint aluminium	Aluminum seal	140241	5	14	
	Joint torique	O-ring	1483231	5	14	
	Rondelle ondulée	Washer	170214	1	22	
	Circlips	Circlips	150541	1	23	
	Joint torique	O-ring	1411049	1	24	
	bague	Internal ring	117010	1	25	
	Cartouche carstick	Carstick plug	310295	1	36	
	Rondelle plastique	Plastic washer	0519663	1	39	
	Joint nitrile	Nitrile lip seal	1303601	1	48	
Kit 2: Semelles / Shoes	Semelle bronze	Shoes	059994	5	35	
Kit 3: Pistons	Plaque de rappel	Return plate	0511844	1	8	
0512536	Piston	Piston	0519550	5	17	
	Jonc	Circlips	0516108	5	18	
	Clapet aspiration	Inlet check valve	0518477	5	19	
	Plot acier	Steel shoe	059978	5	20	
	Ressort	Spring	0515901	5	32	
	Rondelle	Washer	0515903	5	37	
Kit 4: Shaft / Arbre	Axe	Shaft	0511007	1	1	
	Rondelle	Washer	0512273	1	47	
Kit 5: Bearings / Roulements	Roulement rouleaux	Roller bearing	110328	1	4	
	Circlips	Circlips	151080	1	5	
	Roulement conique	Conical bearing	110640	1	7	
Kit 6: Outlet check valves / Clapets refoulement For pump after 12/2014	Bouchon	Plug	0523033	5	12	
	Joint torique	O-ring	1483231	5	14	
	Ressort	Spring	052158	5	13	
	Clapet refoulement	Outlet check valve	057813	5	15	
	Rondelle	Washer	057814	5	16	
Kit 6.1: Outlet check valves / Clapets refoulement For pump before 12/2014	Bouchon	Plug	052157	5	12	
	Ressort	Spring	052158	5	13	
	Joint aluminium	Aluminum seal	140241	5	14	
	Clapet refoulement	Outlet check valve	057813	5	15	
0512537	Rondelle	Washer	057814	5	16	



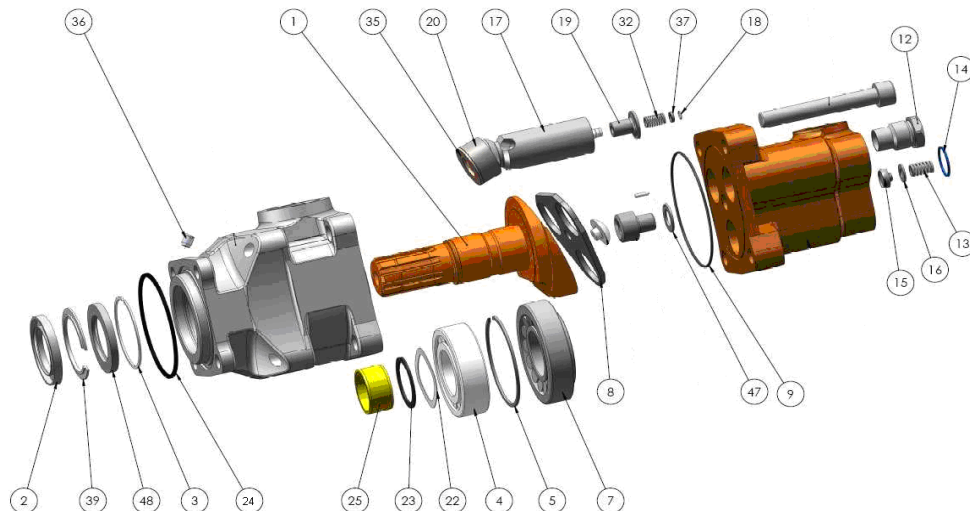
Spare parts for repair the pump PAC50_0511465
 Kit de pièces pour réparer une pompe PAC50_0511465

kit	Components / Composants		Reference / Référence	Quantity / Quantité	Item no. / Nr article	Price / Prix
Kit 1: seals / Joints	tube plastique	Plastic tube	310296	1	0	
0512535	Joint viton	Viton lip seal	130362	1	2	
	Circlips	Circlips	151062	1	3	
	Joint torique	O-ring	145089	1	9	
	Joint aluminium	Aluminum seal	140241	5	14	
	Joint torique	O-ring	1483231	5	14	
	Rondelle ondulée	Washer	170214	1	22	
	Circlips	Circlips	150541	1	23	
	Joint torique	O-ring	1411049	1	24	
	bague	Internal ring	117010	1	25	
	Cartouche carstick	Carstick plug	310295	1	36	
	Rondelle plastique	Plastic washer	0519663	1	39	
	Joint nitrile	Nitrile lip seal	1303601	1	48	
Kit 2: Semelles / Shoes	Semelle bronze	Shoes	059994	5	35	
Kit 3: Pistons	Plaque de rappel	Return plate	0511844	1	8	
0512536	Piston	Piston	0519550	5	17	
	Jonc	Circlips	0516108	5	18	
	Clapet aspiration	Inlet check valve	0518477	5	19	
	Plot acier	Steel shoe	059978	5	20	
	Ressort	Spring	0515901	5	32	
	Rondelle	Washer	0515903	5	37	
Kit 4: Shaft / Arbre	Axe	Shaft	059998	1	1	
	Rondelle	Washer	0512273	1	47	
Kit 5: Bearings / Roulements	Roulement rouleaux	Roller bearing	110328	1	4	
	Circlips	Circlips	151080	1	5	
	Roulement conique	Conical bearing	110640	1	7	
Kit 6: Outlet check valves / Clapets refoulement For pump after 12/2014	Bouchon	Plug	0523033	5	12	
	Joint torique	O-ring	1483231	5	14	
	Ressort	Spring	052158	5	13	
	Clapet refoulement	Outlet check valve	057813	5	15	
	Rondelle	Washer	057814	5	16	
Kit 6.1: Outlet check valves / Clapets refoulement For pump before 12/2014	Bouchon	Plug	052157	5	12	
	Ressort	Spring	052158	5	13	
	Joint aluminium	Aluminum seal	140241	5	14	
	Clapet refoulement	Outlet check valve	057813	5	15	
0512537	Rondelle	Washer	057814	5	16	



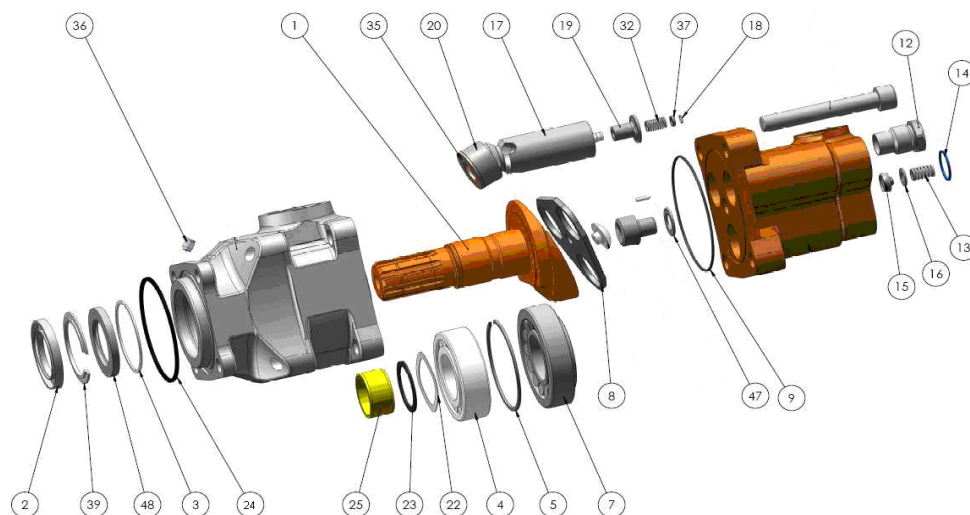
Spare parts for repair the pump PAC65_0511490
 Kit de pièces pour réparer une pompe PAC65_0511490

kit	Components / Composants		Reference / Référence	Quantity / Quantité	Item no. / Nr article	Price / Prix
Kit 1: seals / Joints	tube plastique	Plastic tube	310296	1	0	
0512545	Joint viton	Viton lip seal	130362	1	2	
	Circlips	Circlips	151062	1	3	
	Joint torique	O-ring	1411229	1	9	
	Joint aluminium	Aluminum seal	140241	6	14	
	Joint torique	O-ring	1483231	6	14	
	Rondelle ondulée	Washer	170214	1	22	
	Circlips	Circlips	150541	1	23	
	Joint torique	O-ring	1411049	1	24	
	bague	Internal ring	117010	1	25	
	Cartouche carstick	Carstick plug	310295	1	36	
	Rondelle plastique	Plastic washer	0519663	1	39	
	Joint nitrile	Nitrile lip seal	1303601	1	48	
Kit 2: Semelles / Shoes	Semelle bronze	Shoes	0511501	6	35	
Kit 3: Pistons	Plaque de rappel	Return plate	0511843	1	8	
0512546	Piston	Piston	0519550	6	17	
	Jonc	Circlips	0516108	6	18	
	Clapet aspiration	Inlet check valve	0518477	6	19	
	Plot acier	Steel shoe	059978	6	20	
	Ressort	Spring	0515901	6	32	
	Rondelle	Washer	0515903	6	37	
	Kit 4: Shaft / Arbre	Axe	Shaft	0511714	1	1
	Rondelle	Washer	0512273	1	47	
Kit 5: Bearings / Roulements	Roulement rouleaux	Roller bearing	110515	1	4	
	Circlips	Circlips	151080	1	5	
	Roulement conique	Conical bearing	110702	1	7	
Kit 6: Outlet check valves / Clapets refoulement For pump after 12/2014	Bouchon	Plug	0523032	6	12	
	Joint torique	O-ring	1483231	6	14	
	Ressort	Spring	052158	6	13	
	Clapet refoulement	Outlet check valve	057813	6	15	
	Rondelle	Washer	057814	6	16	
Kit 6.1: Outlet check valves / Clapets refoulement For pump before 12/2014	Bouchon	Plug	059663	6	12	
	Ressort	Spring	059721	6	13	
	Joint aluminium	Aluminum seal	140241	6	14	
	Clapet refoulement	Outlet check valve	057813	6	15	
0512547	Rondelle	Washer	057814	6	16	



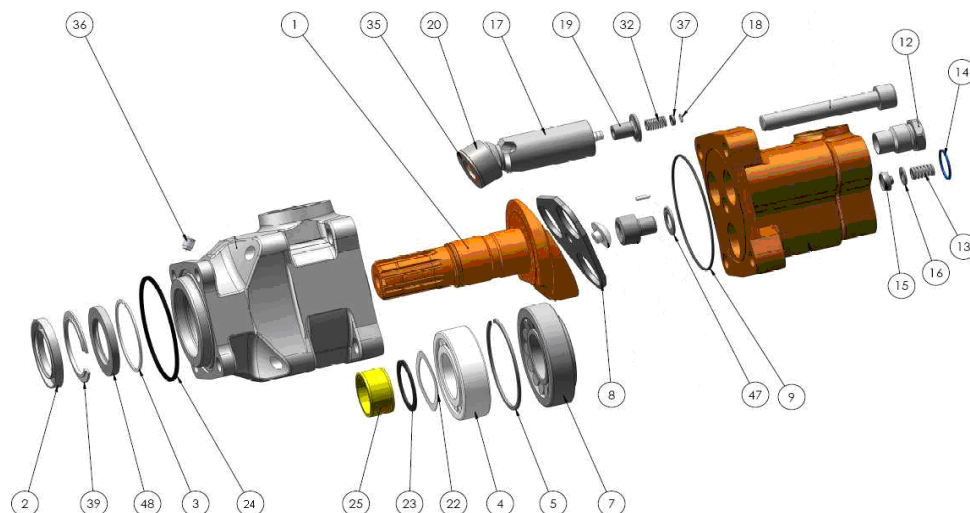
Spare parts for repair the pump PAC80_0511705
Kit de pièces pour réparer une pompe PAC80_0511705

kit	Components / Composants		Reference / Référence	Quantity / Quantité	Item no. / Nr article	Price / Prix
Kit 1: seals / Joints	tube plastique	Plastic tube	310296	1	0	
0512545	Joint viton	Viton lip seal	130362	1	2	
	Circlips	Circlips	151062	1	3	
	Joint torique	O-ring	1411229	1	9	
	Joint aluminium	Aluminum seal	140241	6	14	
	Joint torique	O-ring	1483231	6	14	
	Rondelle ondulée	Washer	170214	1	22	
	Circlips	Circlips	150541	1	23	
	Joint torique	O-ring	1411049	1	24	
	bague	Internal ring	117010	1	25	
	Cartouche carstick	Carstick plug	310295	1	36	
	Rondelle plastique	Plastic washer	0519663	1	39	
	Joint nitrile	Nitrile lip seal	1303601	1	48	
Kit 2: Semelles / Shoes	Semelle bronze	Shoes	0511501	6	35	
Kit 3: Pistons	Plaque de rappel	Return plate	0511843	1	8	
0512636	Piston	Piston	0519540	6	17	
	Jonc	Circlips	0516108	6	18	
	Clapet aspiration	Inlet check valve	0518477	6	19	
	Plot acier	Steel shoe	059978	6	20	
	Ressort	Spring	0515901	6	32	
	Rondelle	Washer	0515903	6	37	
	Kit 4: Shaft / Arbre	Axe	Shaft	0511714	1	1
	Rondelle	Washer	0512273	1	47	
Kit 5: Bearings / Roulements	Roulement rouleaux	Roller bearing	110515	1	4	
	Circlips	Circlips	151080	1	5	
	Roulement conique	Conical bearing	110702	1	7	
Kit 6: Outlet check valves / Clapets refoulement For pump after 12/2014	Bouchon	Plug	0523032	6	12	
	Joint torique	O-ring	1483231	6	14	
	Ressort	Spring	052158	6	13	
	Clapet refoulement	Outlet check valve	057813	6	15	
	Rondelle	Washer	057814	6	16	
Kit 6.1: Outlet check valves / Clapets refoulement For pump before 12/2014	Bouchon	Plug	059663	6	12	
	Ressort	Spring	059721	6	13	
	Joint aluminium	Aluminum seal	140241	6	14	
	Clapet refoulement	Outlet check valve	057813	6	15	
0512547	Rondelle	Washer	057814	6	16	



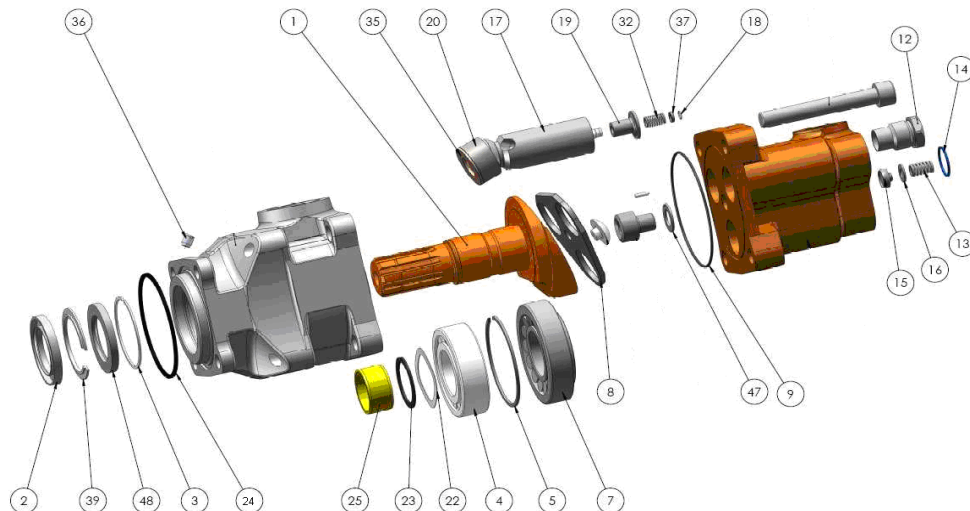
Spare parts for repair the pump PAC2x25_0511480
 Kit de pièces pour réparer une pompe PAC2x25_0511480

kit	Components / Composants		Reference / Référence	Quantity / Quantité	Item no. / Nr article	Price / Prix
Kit 1: seals / Joints	tube plastique	Plastic tube	310296	1	0	
0512545	Joint viton	Viton lip seal	130362	1	2	
	Circlips	Circlips	151062	1	3	
	Joint torique	O-ring	1411229	1	9	
	Joint aluminium	Aluminum seal	140241	6	14	
	Joint torique	O-ring	1483231	6	14	
	Rondelle ondulée	Washer	170214	1	22	
	Circlips	Circlips	150541	1	23	
	Joint torique	O-ring	1411049	1	24	
	bague	Internal ring	117010	1	25	
	Cartouche carstick	Carstick plug	310295	1	36	
	Rondelle plastique	Plastic washer	0519663	1	39	
	Joint nitrile	Nitrile lip seal	1303601	1	48	
Kit 2: Semelles / Shoes	Semelle bronze	Shoes	0511501	5	35	
Kit 3: Pistons	Plaque de rappel	Return plate	0511843	1	8	
0512536	Piston	Piston	0519550	5	17	
	Jonc	Circlips	0516108	5	18	
	Clapet aspiration	Inlet check valve	0518477	5	19	
	Plot acier	Steel shoe	059978	5	20	
	Ressort	Spring	0515901	5	32	
	Rondelle	Washer	0515903	5	37	
Kit 4: Shaft / Arbre	Axe	Shaft	0511001	1	1	
	Rondelle	Washer	0512273	1	47	
Kit 5: Bearings / Roulements	Roulement rouleaux	Roller bearing	110515	1	4	
	Circlips	Circlips	151080	1	5	
	Roulement conique	Conical bearing	110702	1	7	
Kit 6: Outlet check valves / Clapets refoulement For pump after 12/2014	Bouchon	Plug	0523032	6	12	
	Joint torique	O-ring	1483231	6	14	
	Ressort	Spring	052158	6	13	
	Clapet refoulement	Outlet check valve	057813	6	15	
	Rondelle	Washer	057814	6	16	
Kit 6.1: Outlet check valves / Clapets refoulement For pump before 12/2014	Bouchon	Plug	059663	6	12	
	Ressort	Spring	059721	6	13	
	Joint aluminium	Aluminum seal	140241	6	14	
	Clapet refoulement	Outlet check valve	057813	6	15	
	Rondelle	Washer	057814	6	16	
0512547						



Spare parts for repair the pump PAC2x32_0511485
 Kit de pièces pour réparer une pompe PAC2x32_0511485

kit	Components / Composants		Reference / Référence	Quantity / Quantité	Item no. / Nr article	Price / Prix
Kit 1: seals / Joints	tube plastique	Plastic tube	310296	1	0	
0512545	Joint viton	Viton lip seal	130362	1	2	
	Circlips	Circlips	151062	1	3	
	Joint torique	O-ring	1411229	1	9	
	Joint aluminium	Aluminum seal	140241	6	14	
	Joint torique	O-ring	1483231	6	14	
	Rondelle ondulée	Washer	170214	1	22	
	Circlips	Circlips	150541	1	23	
	Joint torique	O-ring	1411049	1	24	
	bague	Internal ring	117010	1	25	
	Cartouche carstick	Carstick plug	310295	1	36	
	Rondelle plastique	Plastic washer	0519663	1	39	
	Joint nitrile	Nitrile lip seal	1303601	1	48	
Kit 2: Semelles / Shoes	Semelle bronze	Shoes	0511501	6	35	
Kit 3: Pistons	Plaque de rappel	Return plate	0511843	1	8	
0512546	Piston	Piston	0519550	6	17	
	Jonc	Circlips	0516108	6	18	
	Clapet aspiration	Inlet check valve	0518477	6	19	
	Plot acier	Steel shoe	059978	6	20	
	Ressort	Spring	0515901	6	32	
	Rondelle	Washer	0515903	6	37	
Kit 4: Shaft / Arbre	Axe	Shaft	0511714	1	1	
	Rondelle	Washer	0512273	1	47	
Kit 5: Bearings / Roulements	Roulement rouleaux	Roller bearing	110515	1	4	
	Circlips	Circlips	151080	1	5	
	Roulement conique	Conical bearing	110702	1	7	
Kit 6: Outlet check valves / Clapets refoulement For pump after 12/2014	Bouchon	Plug	0523032	6	12	
	Joint torique	O-ring	1483231	6	14	
	Ressort	Spring	052158	6	13	
	Clapet refoulement	Outlet check valve	057813	6	15	
	Rondelle	Washer	057814	6	16	
Kit 6.1: Outlet check valves / Clapets refoulement For pump before 12/2014	Bouchon	Plug	059663	6	12	
	Ressort	Spring	059721	6	13	
	Joint aluminium	Aluminum seal	140241	6	14	
	Clapet refoulement	Outlet check valve	057813	6	15	
0512547	Rondelle	Washer	057814	6	16	



Spare parts for repair the pump PAC2x40_0511710
 Kit de pièces pour réparer une pompe PAC2x40_0511710

kit	Components / Composants		Reference / Référence	Quantity / Quantité	Item no. / Nr article	Price / Prix
Kit 1: seals / Joints	tube plastique	Plastic tube	310296	1	0	
0512545	Joint viton	Viton lip seal	130362	1	2	
	Circlips	Circlips	151062	1	3	
	Joint torique	O-ring	1411229	1	9	
	Joint aluminium	Aluminum seal	140241	6	14	
	Joint torique	O-ring	1483231	6	14	
	Rondelle ondulée	Washer	170214	1	22	
	Circlips	Circlips	150541	1	23	
	Joint torique	O-ring	1411049	1	24	
	bague	Internal ring	117010	1	25	
	Cartouche carstick	Carstick plug	310295	1	36	
	Rondelle plastique	Plastic washer	0519663	1	39	
	Joint nitrile	Nitrile lip seal	1303601	1	48	
Kit 2: Semelles / Shoes	Semelle bronze	Shoes	0511501	6	35	
Kit 3: Pistons	Plaque de rappel	Return plate	0511843	1	8	
0512636	Piston	Piston	0519540	6	17	
	Jonc	Circlips	0516108	6	18	
	Clapet aspiration	Inlet check valve	0518477	6	19	
	Plot acier	Steel shoe	059978	6	20	
	Ressort	Spring	0515901	6	32	
	Rondelle	Washer	0515903	6	37	
Kit 4: Shaft / Arbre	Axe	Shaft	0511714	1	1	
	Rondelle	Washer	0512273	1	47	
Kit 5: Bearings / Roulements	Roulement rouleaux	Roller bearing	110515	1	4	
	Circlips	Circlips	151080	1	5	
	Roulement conique	Conical bearing	110702	1	7	
Kit 6: Outlet check valves / Clapets refoulement For pump after 12/2014	Bouchon	Plug	0523032	6	12	
	Joint torique	O-ring	1483231	6	14	
	Ressort	Spring	052158	6	13	
	Clapet refoulement	Outlet check valve	057813	6	15	
	Rondelle	Washer	057814	6	16	
Kit 6.1: Outlet check valves / Clapets refoulement For pump before 12/2014	Bouchon	Plug	059663	6	12	
	Ressort	Spring	059721	6	13	
	Joint aluminium	Aluminum seal	140241	6	14	
	Clapet refoulement	Outlet check valve	057813	6	15	
0512547	Rondelle	Washer	057814	6	16	

