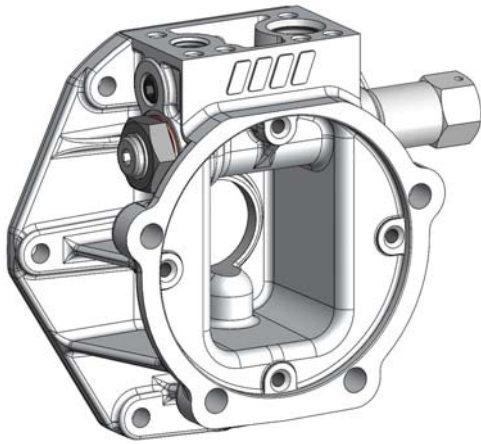
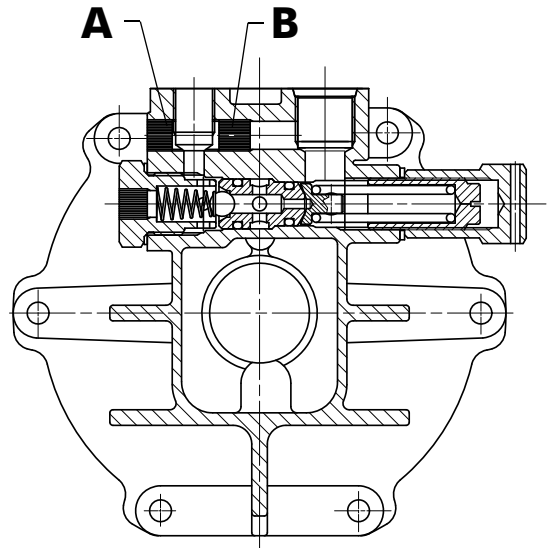


INSTRUCTIONS HOW TO CONVERT A DOUBLE ACTING POWER UNIT INTO A SINGLE ACTING ONE

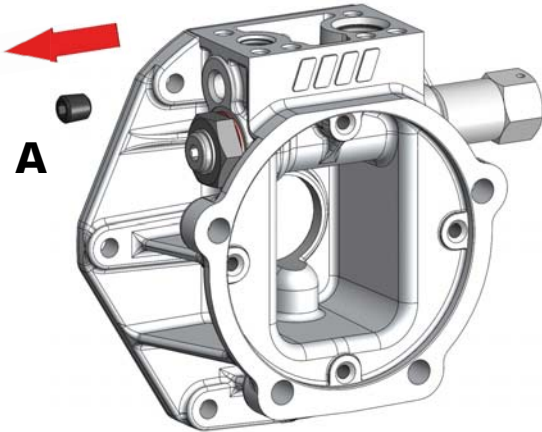
POWERPACK WITH STEEL TANK



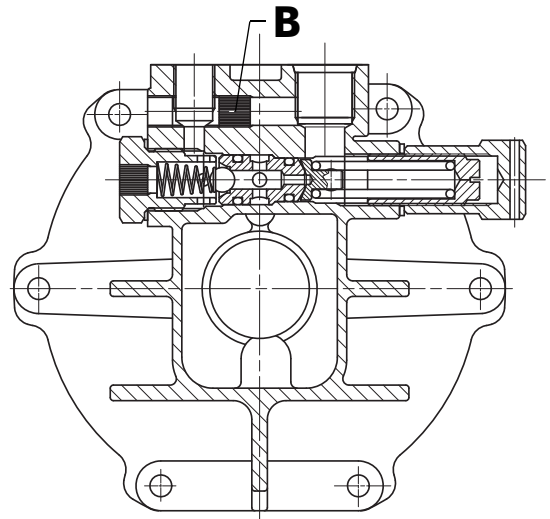
STARTING SITUATION



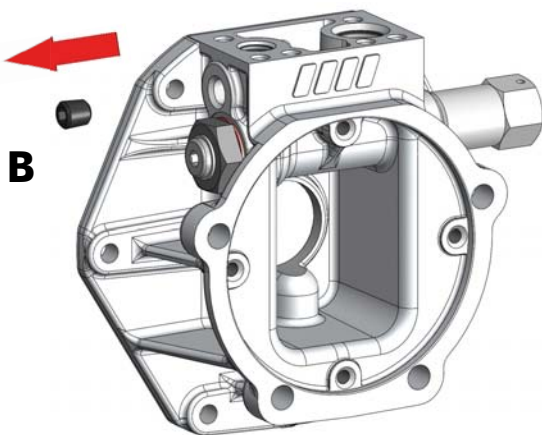
Data: Lunedì 20 ottobre 2014



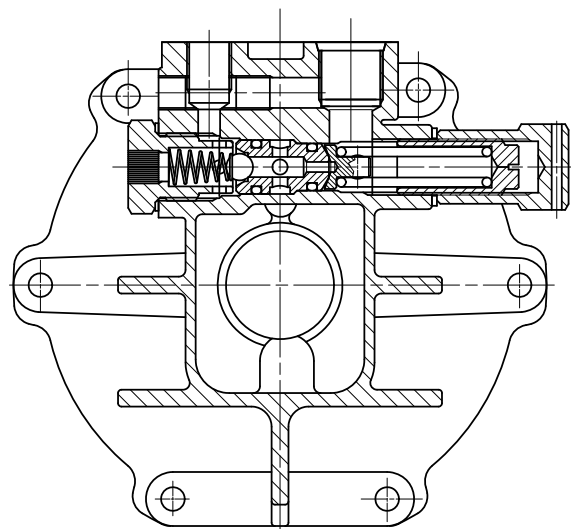
1) Remove the plug pos. **A** ref. 504-002-10087

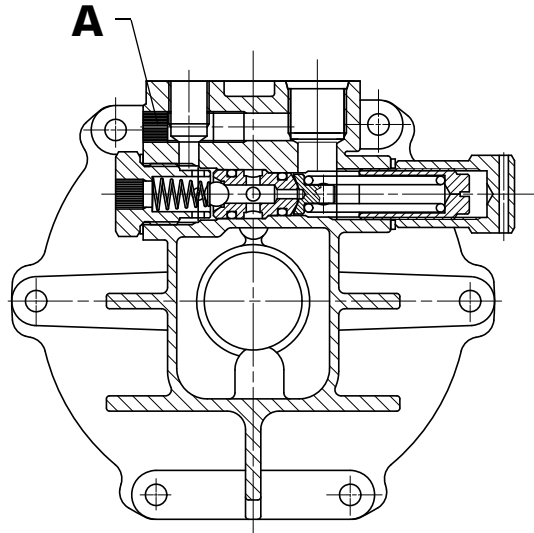
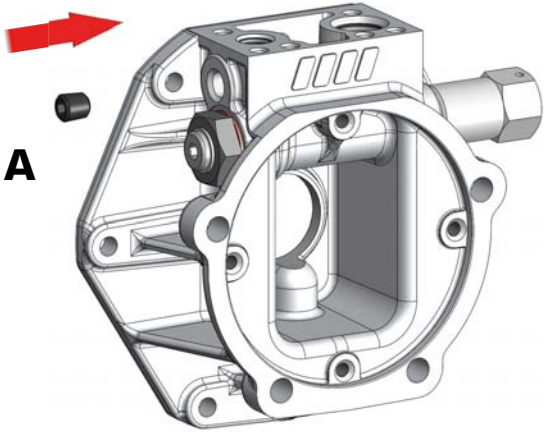


Codice foglio: 997-003-00523 Rev: AB

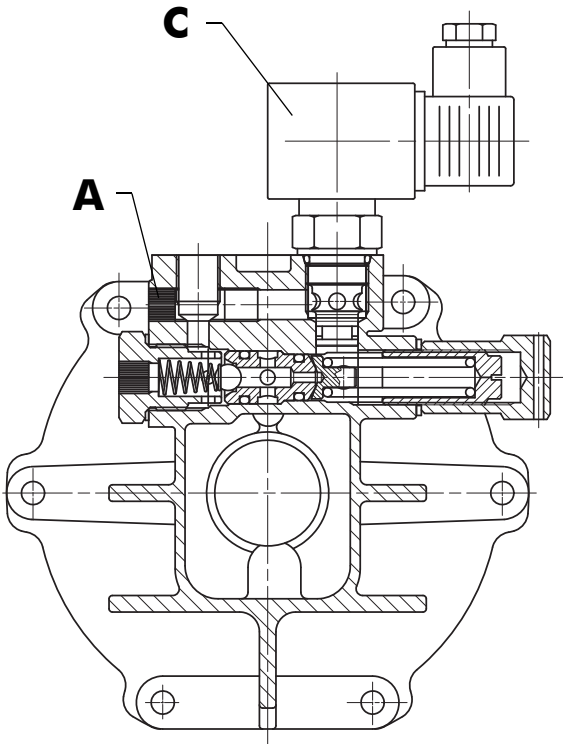
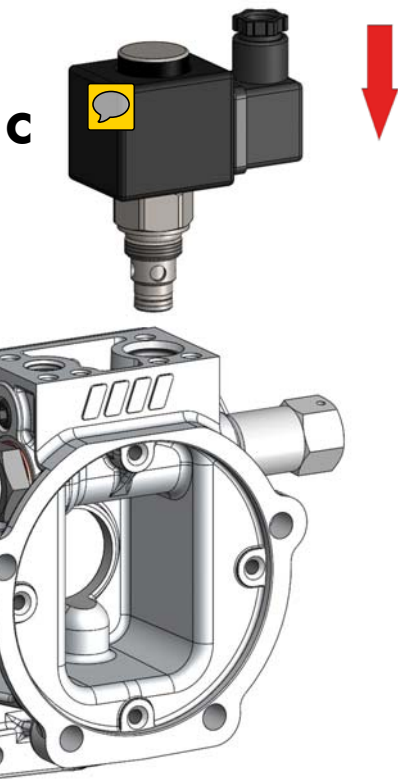


2) Remove and dispose the plug pos. **B**
ref. 504-014-10094





3) Re-fit the plug pos. **A**

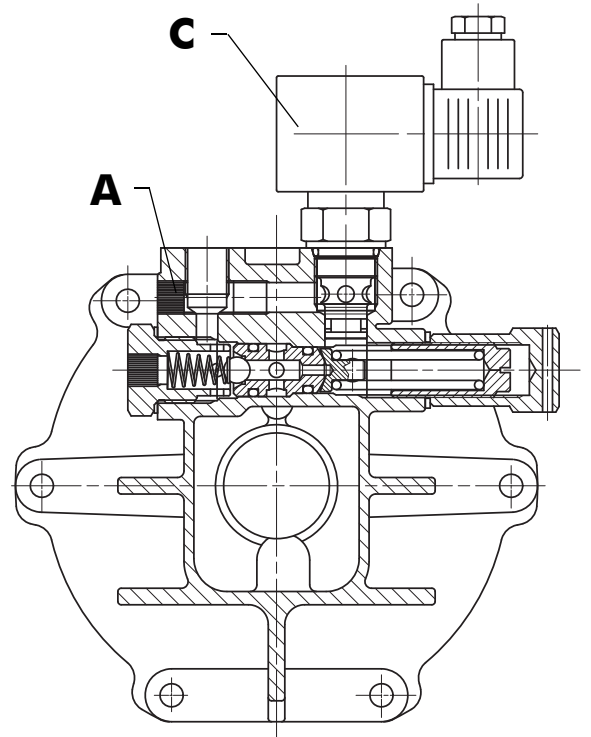
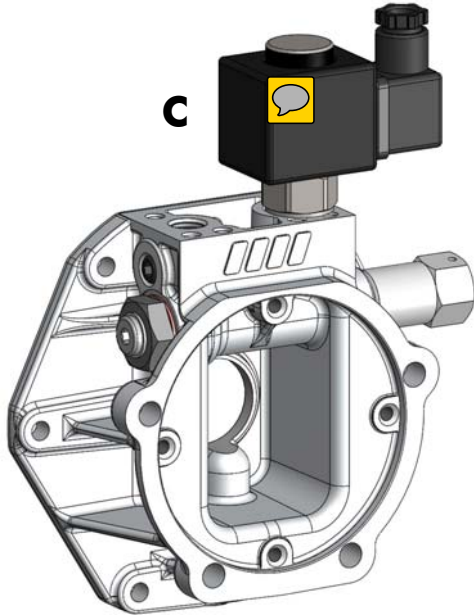


4) Fit the cartridge valve pos. **C** according to voltage and type required

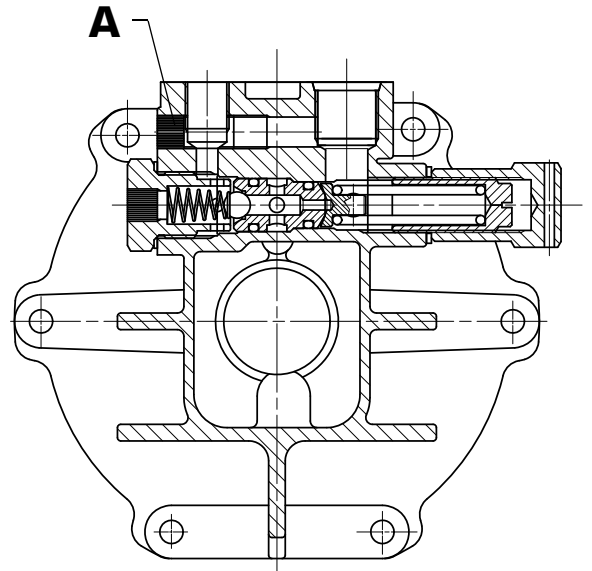
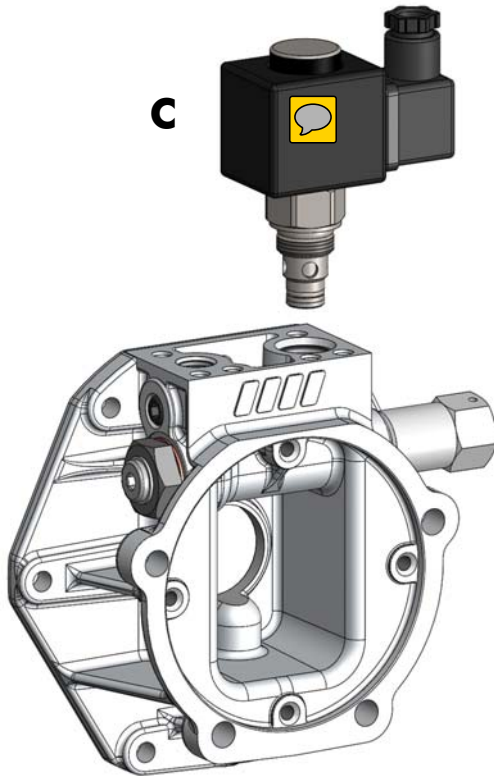
The aluminium bell-housing is now **SINGLE ACTING**.

INSTRUCTIONS HOW TO CONVERT A SINGLE ACTING POWER UNIT INTO A DOUBLE ACTING ONE

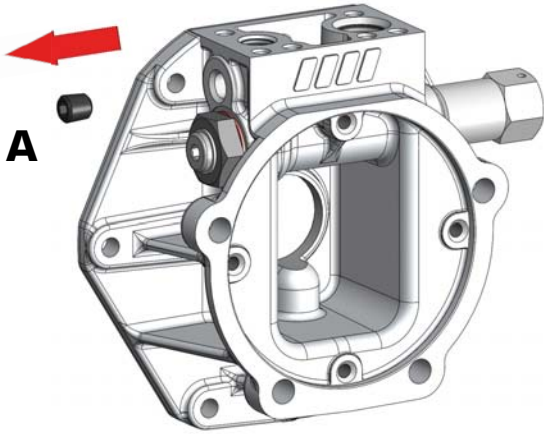
POWERPACK WITH STEEL TANK



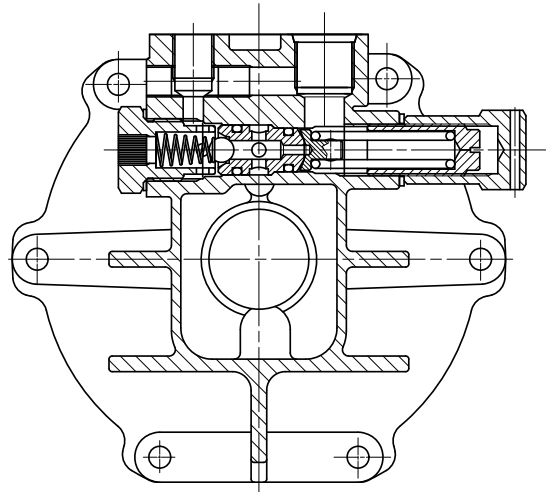
STARTING SITUATION



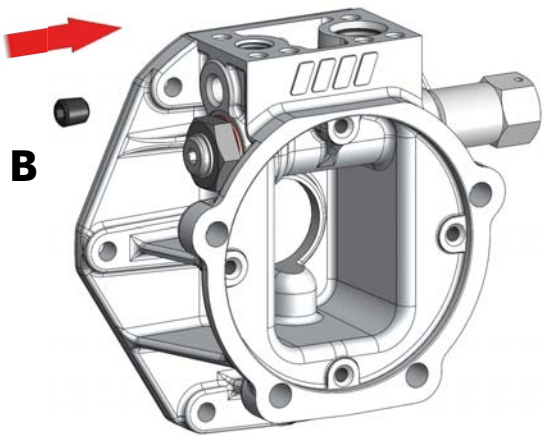
1) Remove the cartridge valve pos. **C**



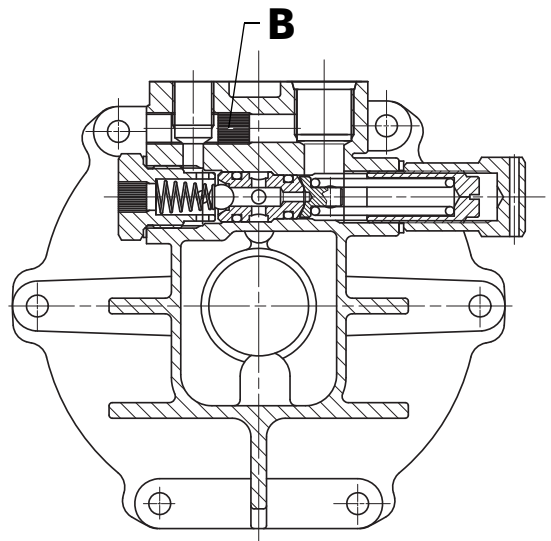
A



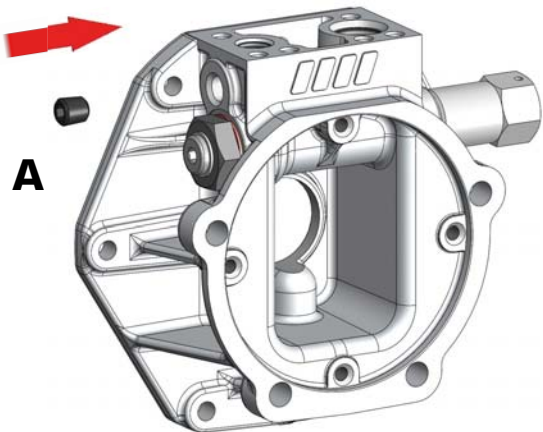
2) Remove the plug pos. **A** ref. 504-002-10087



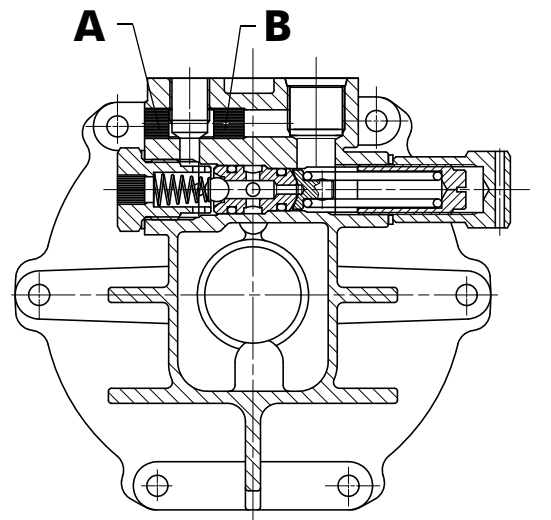
B



3) Screw-in the plug pos. **B** ref. 504-014-10094 (to order) in the proper seat



A

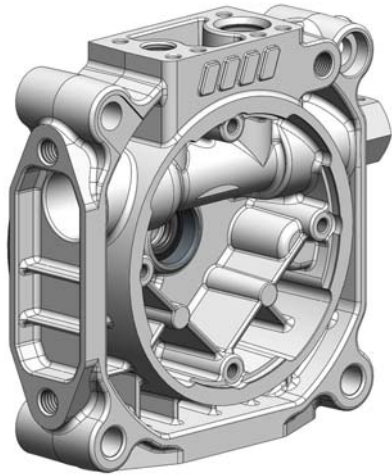


4) Re-fit the plug pos. **A**

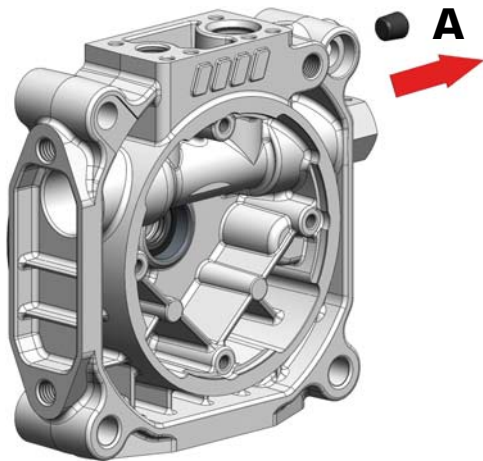
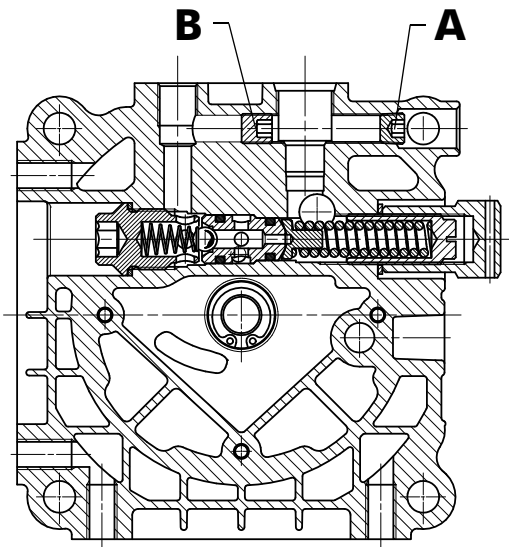
The aluminium bell-housing is now **DOUBLE ACTING**.

INSTRUCTIONS HOW TO CONVERT A DOUBLE ACTING POWER UNIT INTO A SINGLE ACTING ONE

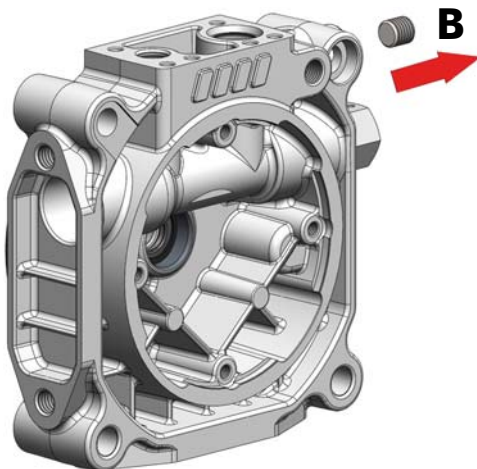
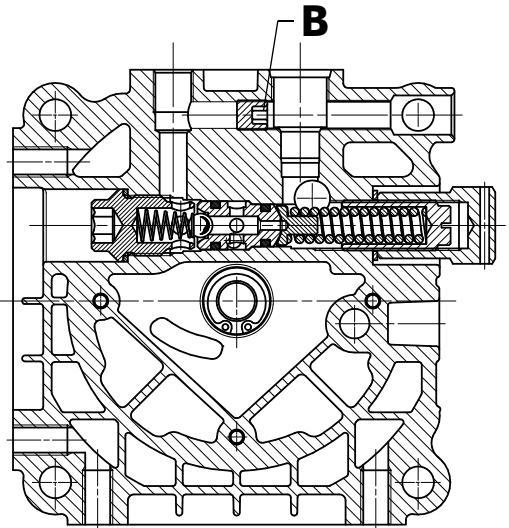
**POWER PRO
KUBE**



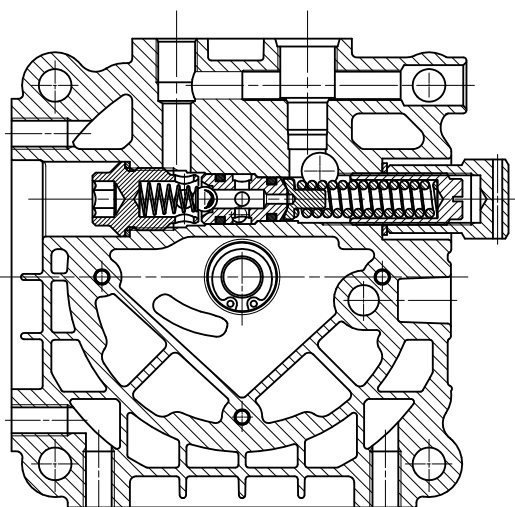
STARTING SITUATION



1) Remove the plug pos. **A** ref. 504-020-10087

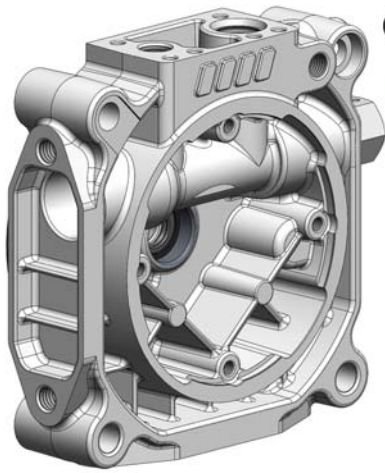


2) Remove and dispose the plug pos. **B**
ref. 504-014-10094

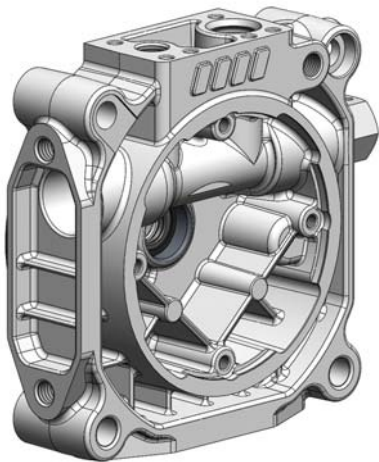
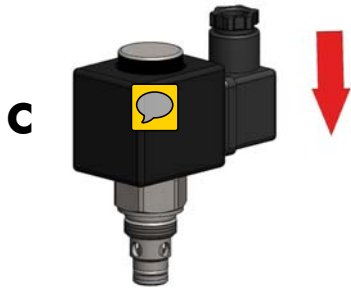
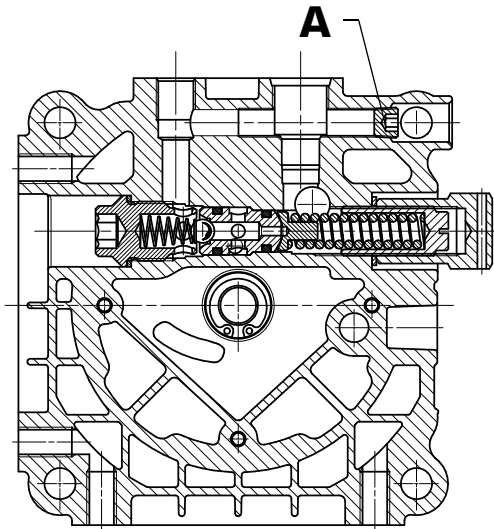


Data: Lunedì 20 ottobre 2014

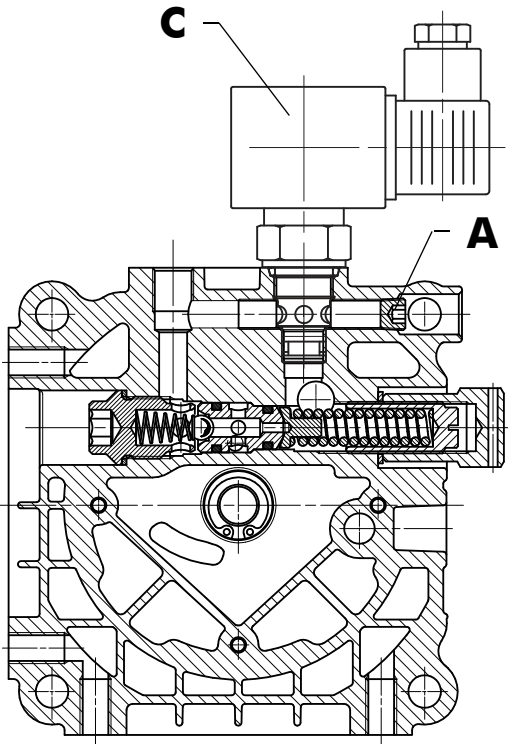
Codice foglio: 997-003-00523 Rev: AB



3) Re-fit the plug pos. **A**



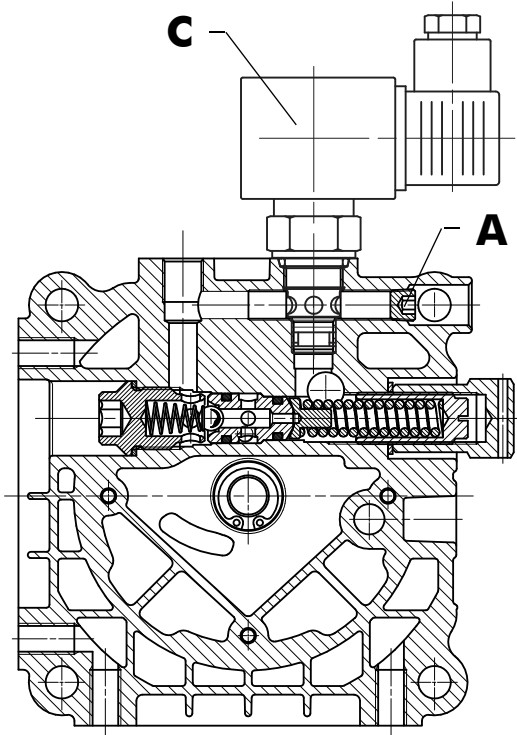
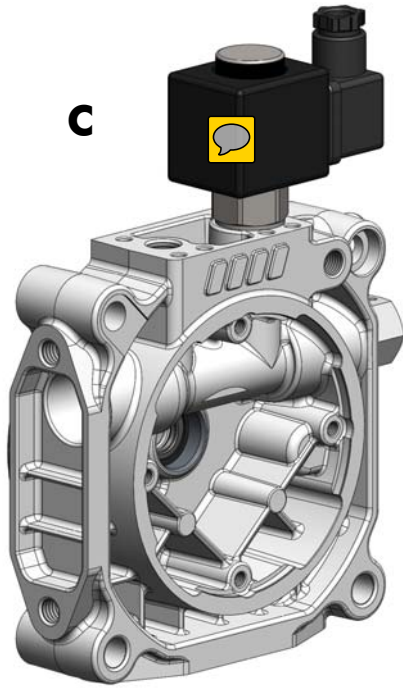
4) Fit the cartridge valve pos. **C** according to voltage and type required



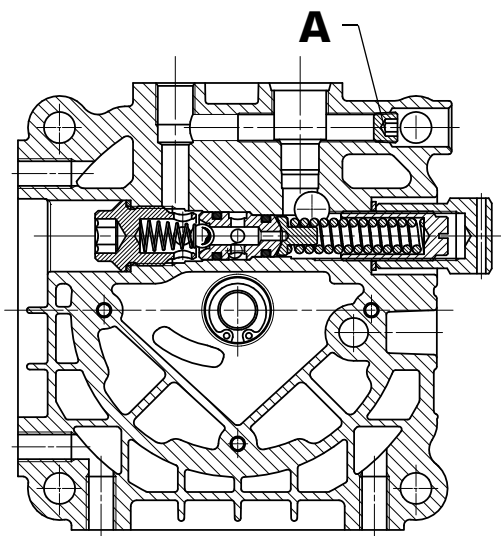
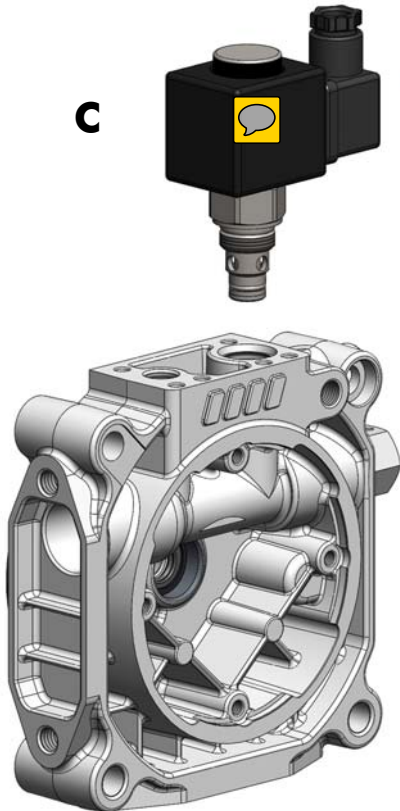
The aluminium bell-housing is now **SINGLE ACTING**.

INSTRUCTIONS HOW TO CONVERT A SINGLE ACTING POWER UNIT INTO A DOUBLE ACTING ONE

**POWER PRO
KUBE**



STARTING SITUATION

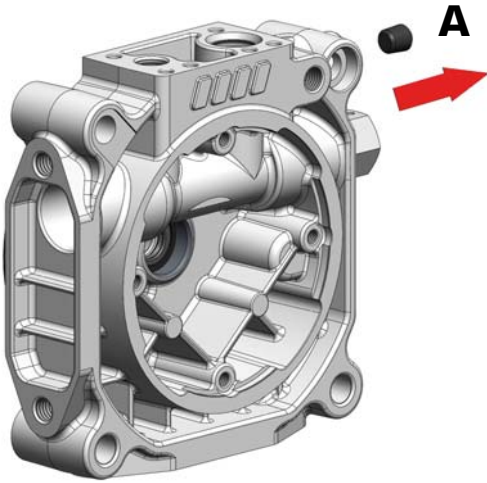


1) Remove the cartridge valve pos. **C**

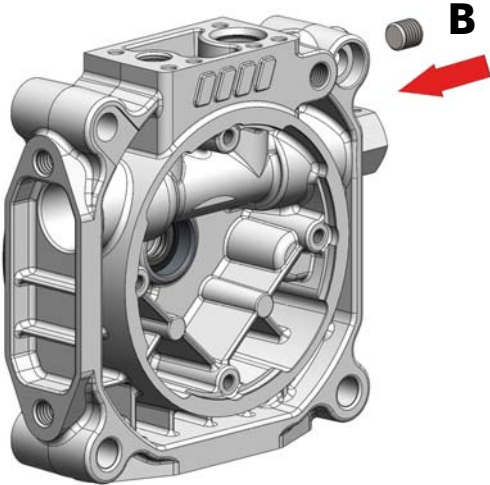
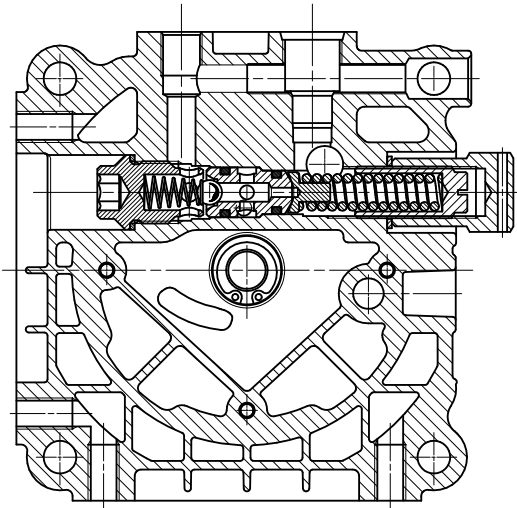
Data: Lunedì 20 ottobre 2014

Codice foglio: 997-003-00523 Rev: AB

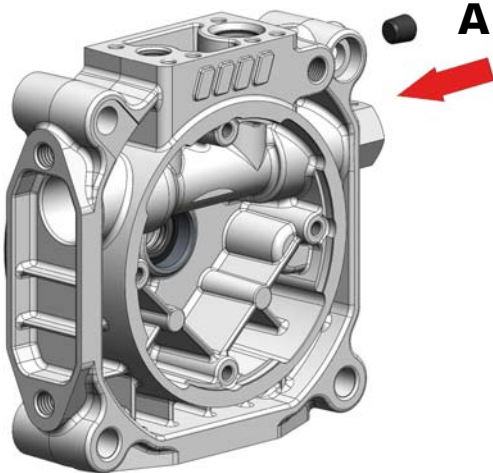
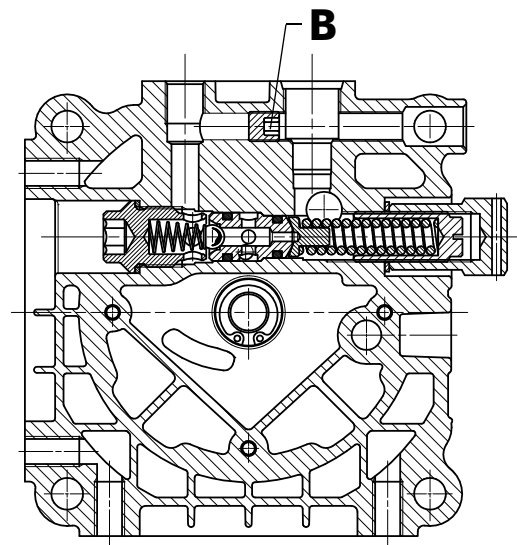
INSTRUCTIONS



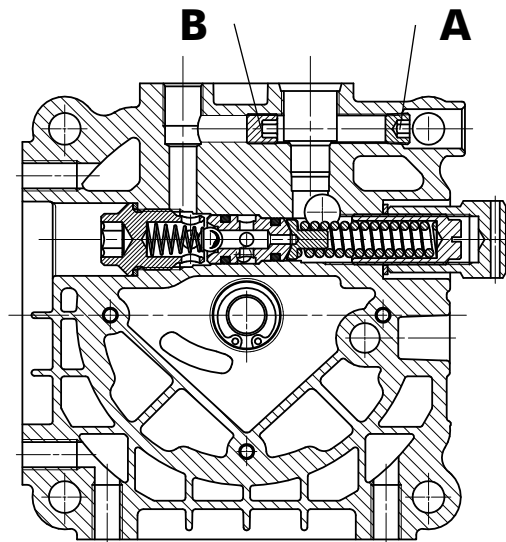
2) Remove the plug pos. **A** ref. 504-020-10087



3) Screw-in the plug pos. **B** ref. 504-014-10094 (to order) in the proper seat



4) Re-fit the plug pos. **A**



The aluminium bell-housing is now **DOUBLE ACTING**.

COMPANY WITH
QUALITY SYSTEM
CERTIFIED BY DNV
= ISO 9001 =

pag.8
O.M.F.B. S.p.A. Hydraulic Components
We reserve the right to make any changes without notice.
Edition 2005.09 No reproduction, however partial, is permitted.
Via Cave, 7/9 25050 Provaglio d'Iseo (Brescia) Italy Tel.: +39.030.9830611
Fax: +39.030.9839207-208 Internet:www.omfb.it e-mail:info@omfb.it

OMFB
HYDRAULIC COMPONENTS