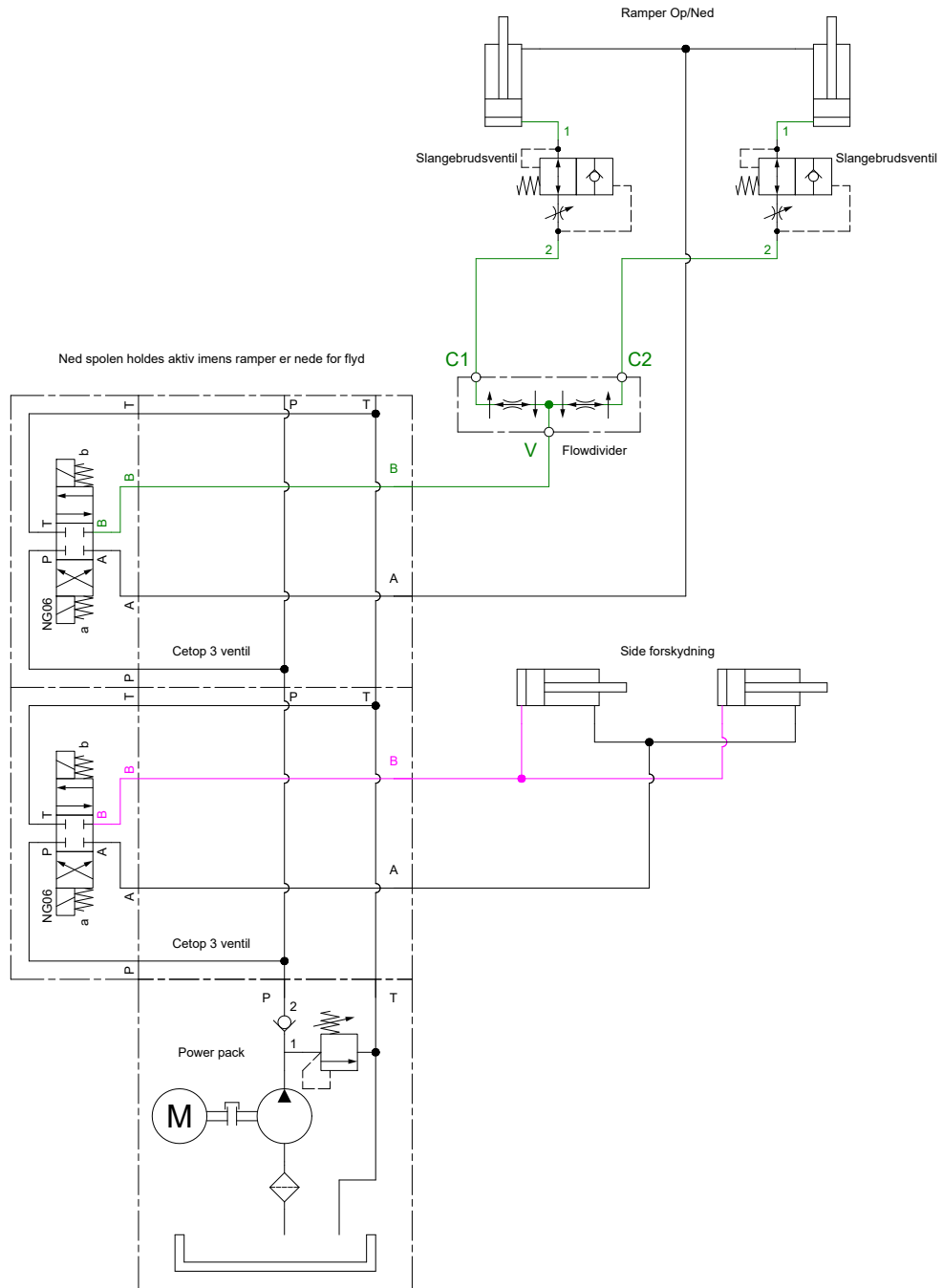


Ramper - Power pack



This document is property of JO Hydraulics. Not to be used, disclosed, or copied without its written consent.

Customer :



JO Hydraulics A/S
Verringvej 74
8660 Skanderborg
Danmark
Tlf.: 75141500
Mail: info@johydraulics.dk
Web: http://johydraulics.dk

Drawn by : CB

Date : 17/02/2022

Checked by :

Date :

Weight :

Material :

Paper Size Scale Project number

A4

Ramper - Powerpack

Order Drawing

Rev.

A