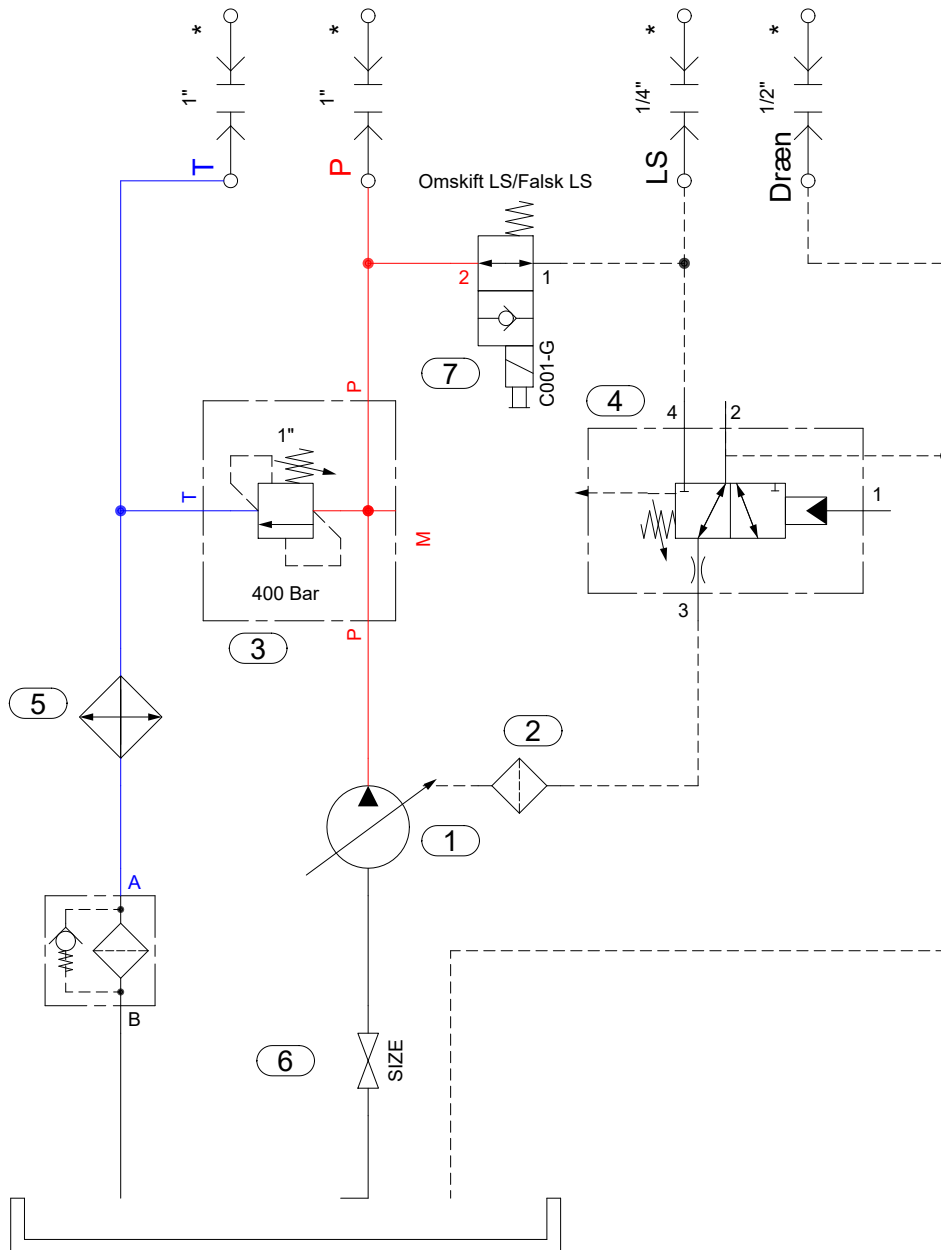


Pos.	ArticleCode	Qty.	Type	Manufacturer
1	P001474	1	Stempelpumpe LS Leduc TXV130 Indexabel	Leduc
2	STYK0525567-1	1	LS adaptor med filter	Jo Hydraulics
3	PRLM1500530C	1	Overtryksventil 1" 50-350 bar	Villa
4	7PK310R005XN0570	1	3/2-vejs skifteventill 1/4"	Gfluid
5	2MV524001	1	Luft olieølør mobile V5 24V	Emmegi
6	425B00100A	1	Lavtryk kuglehane 2 1/2"	Bianchi
7	6SAE080000SN2000	1	Patronventil NO	GFluid
	P4101032	1	VentilBlok Stål 1/4"	Gfluid
	CE066202D	1	Magnetspole 24V DC Ø12,7x38,5xH44,5	Gfluid



This document is property of JO Hydraulics. Not to be used, disclosed, or copied without its written consent.

Customer :



JO Hydraulics A/S
 Verringvej 74
 8660 Skanderborg
 Danmark
 Tlf.: 75141500
 Mail: info@johydraulics.dk
 Web: http://johydraulics.dk

Drawn by : CB

Date :

Checked by :

Date :

Weight :

Material :

Paper Size Scale Project number

A4

Order Drawing

Rev.

A