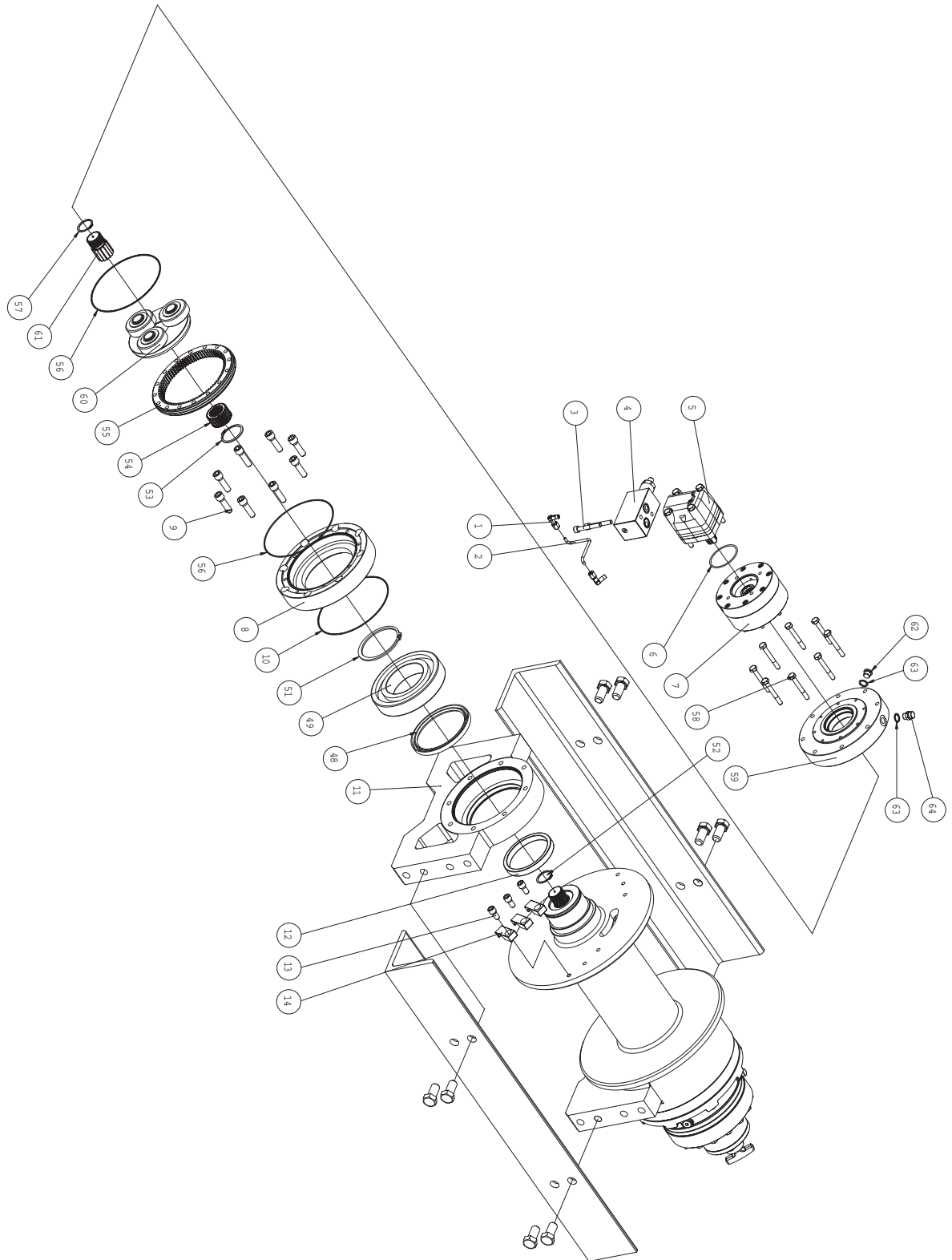


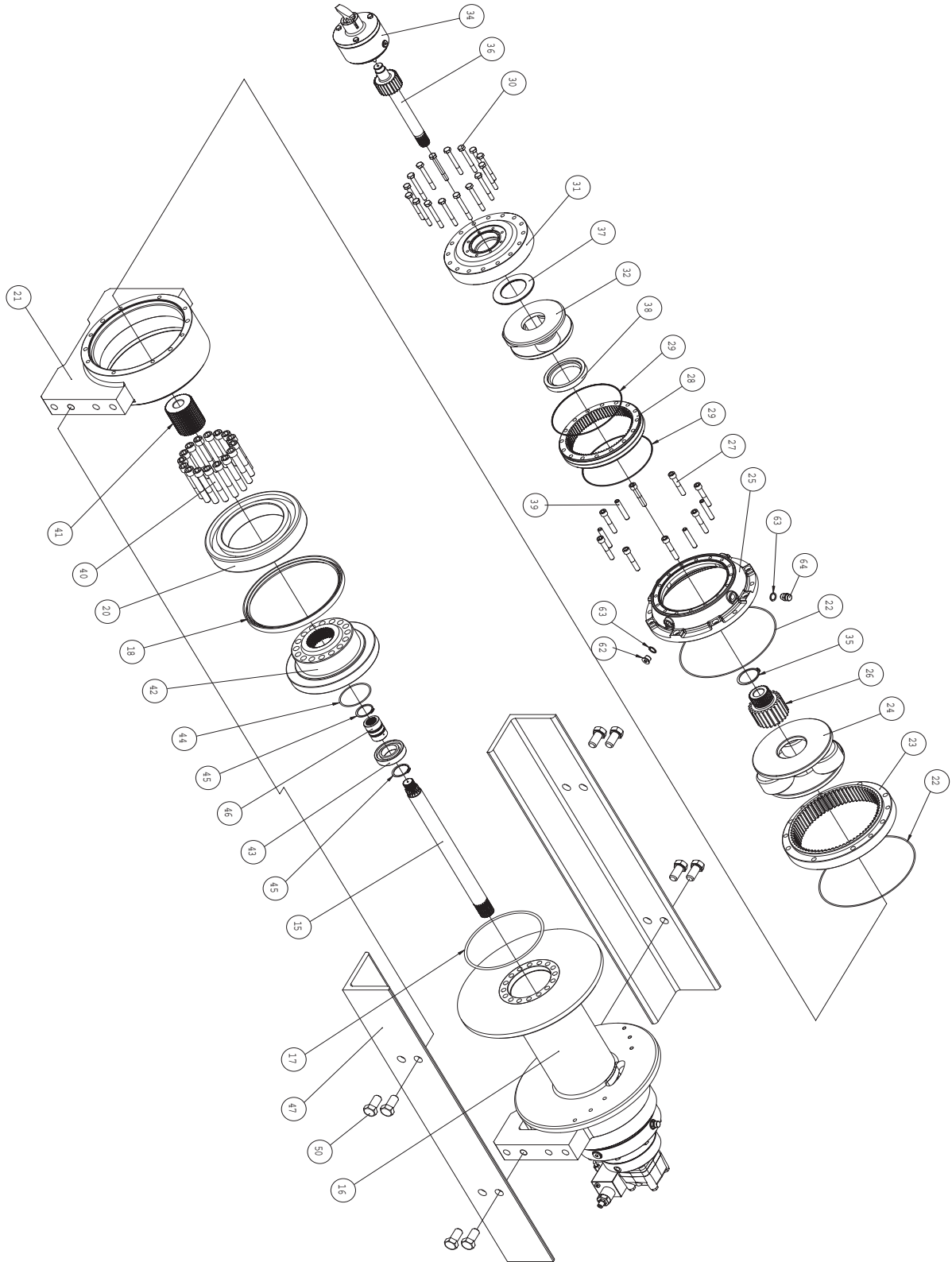
7.2 MOTOR SIDE PARTS DRAWING



7.3 CLUTCH SIDE PARTS LIST

PART NO.	ITEM NO.	DESCRIPTION	Q.TY	PART NO.	ITEM NO.	DESCRIPTION	Q.TY
	15	SHAFT	1		63	WASHER	4
	16	DRUM	1		64	FILL/BREATHING PLUG	1
	17	O-RING	1				
	18	OIL SEAL	1				
	20	BEARING	1				
	21	GEAR HOUSING	1				
	22	O-RING	2				
	23	GEAR RING	1				
	24	GEAR SETS	1				
	25	FLANGE	1				
	26	GEAR OUTPUT SUN	1				
	27	CAPSCREW TCEI 12.9 UNI 5931	8				
	28	GEAR RING	1				
	29	O-RING	2				
	30	CAPSCREW TE 10.9 UNI 5737	16				
	31	GEAR BOX FLANGE	1				
	32	GEAR SETS	1				
	33	O-RING	1				
	34	MANUAL CLUTCH	1				
	35	SNAP RING	1				
	36	GEAR OUTPUT SUN	1				
	37	THRUST WASHER	1				
	38	THRUST WASHER	1				
	39	PIN	4				
	40	CAPSCREWS TCEI 12.9 UNI5931	16				
	41	SHAFT	1				
	42	FLANGE	1				
	43	BEARING	1				
	44	SNAP RING	1				
	45	SNAP RING	2				
	46	SPLINED BUSHING	1				
	47	BASE MOUNTING ANGLES	2				
	62	OIL PLUG	3				

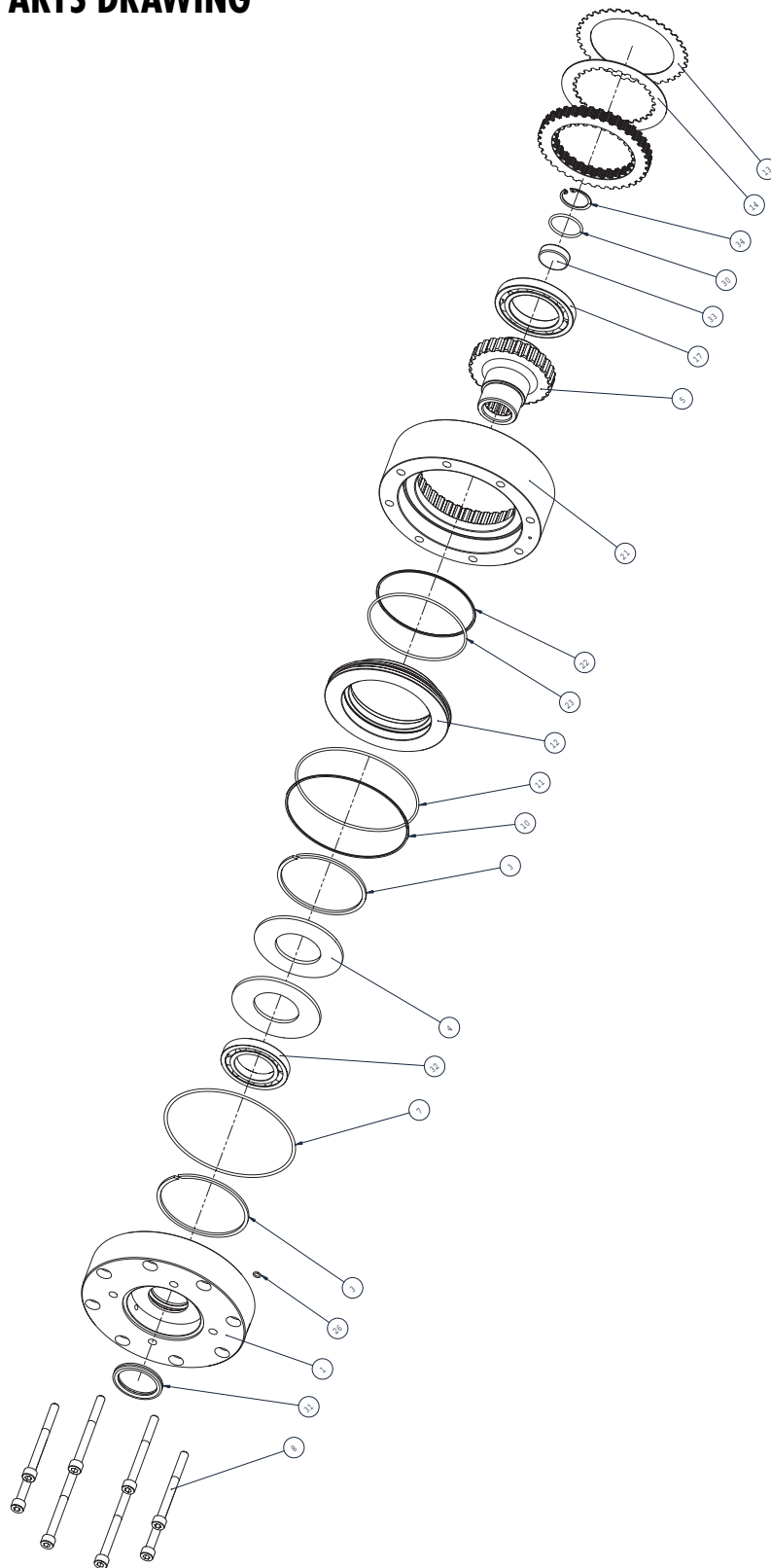
7.4 CLUTCH SIDE PARTS DRAWING



7.5 BRAKE PARTS LIST

PART NO.	ITEM NO.	DESCRIPTION	Q.TY	PART NO.	ITEM NO.	DESCRIPTION	Q.TY
	1	FLANGE	1				
	3	SNAP RING	2				
	4	SPRING CUP	2				
	5	GEAR	1				
	7	O-RING	2				
	8	CAPSCREW TCEI 12.9 UNI 5931	8				
	10	RING-BACK UP	1				
	11	O-RING	1				
	12	PISTON-BRAKE	1				
	13	STATOR-BRAKE	6				
	14	DISC-BRAKE	5				
	17	BEARING	1				
	21	BRAKE HOUSING	1				
	22	RING-BACK UP	1				
	23	O-RING	1				
	26	O-RING	1				
	30	O-RING	1				
	31	OIL SEAL	1				
	32	BEARING	1				
	33	WASHER	1				
	34	SNAP RING	1				
	35	PLUG	2				

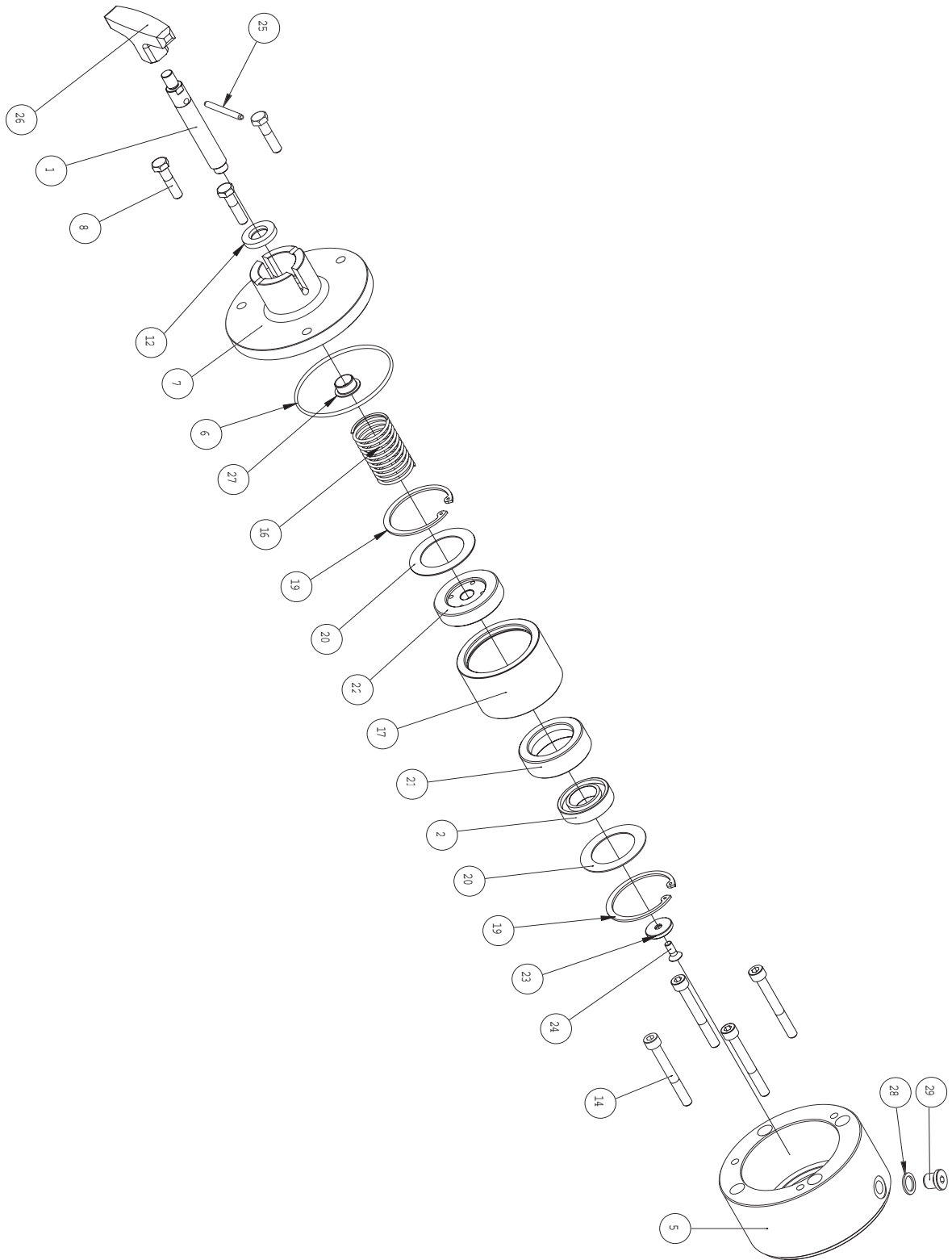
7.6 BRAKE PARTS DRAWING



7.7 MANUAL CLUTCH PARTS LIST

PART NO.	ITEM NO.	DESCRIPTION	Q.TY	PART NO.	ITEM NO.	DESCRIPTION	Q.TY
	1	PIN	1				
	2	BEARING	1				
	5	CLUTCH HOUSING	1				
	6	O-RING	1				
	7	CLUTCH FLANGE	1				
	8	CAPSCREW TE 10.9 UNI 5739	3				
	12	OIL SEAL	1				
	14	CAPSCREW TCEI 12.9 UNI 5931	4				
	16	SPRING	1				
	17	CLUTCH CYLINDER	1				
	19	SNAP RING	2				
	20	WASHER	2				
	21	BEARINGS FLANGE	1				
	22	BUSHING	1				
	23	WASHER	1				
	24	CAPSCREW TSPEI 10.9 UNI 5933	1				
	25	PIN UNI 6873	1				
	26	HANDLE	1				
	27	BUSHING	1				
	28	COPPER WASHER	1				
	29	PLUG	1				

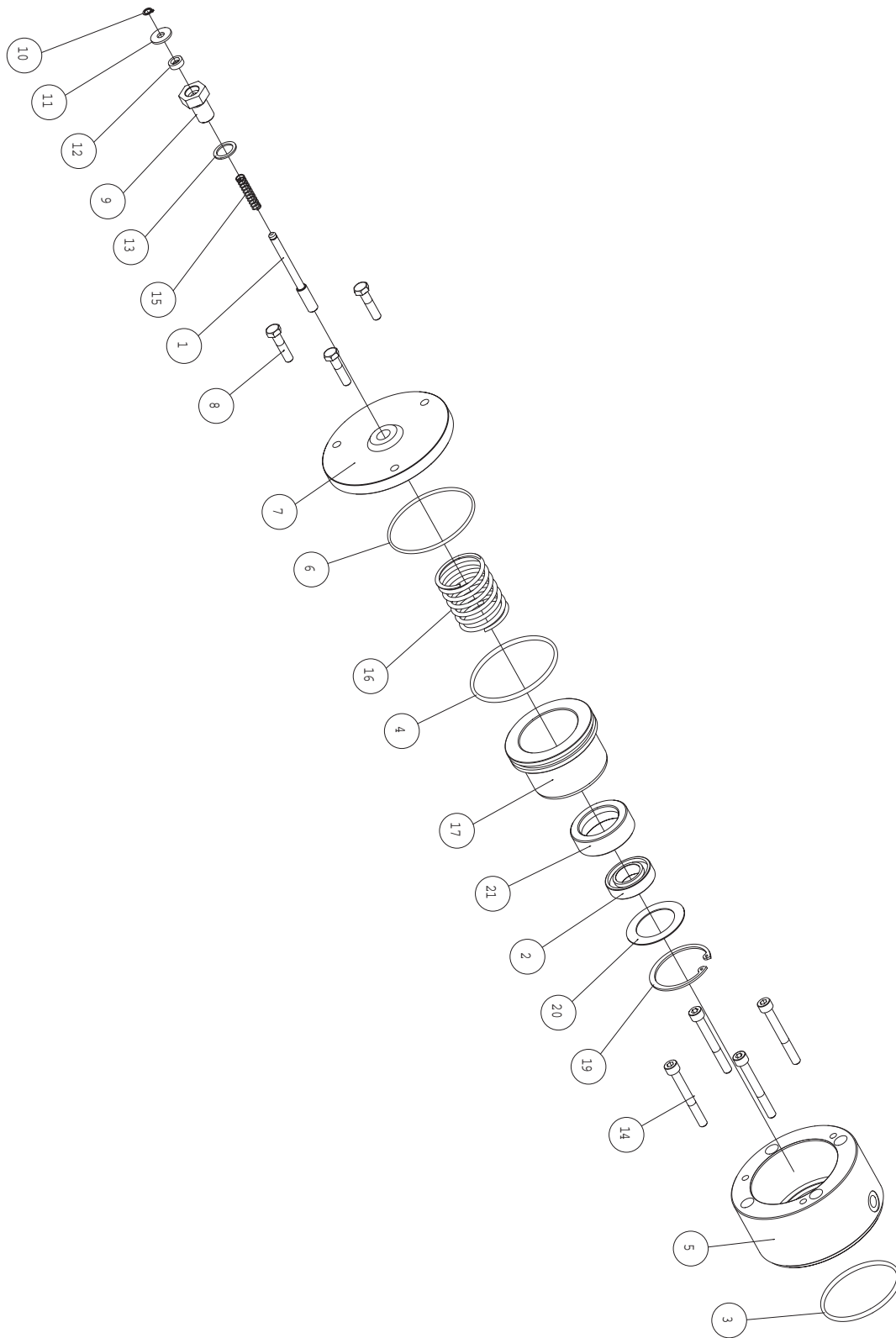
7.8 MANUAL CLUTCH PARTS DRAWING



7.9 AIR CLUTCH PARTS LIST

PART NO.	ITEM NO.	DESCRIPTION	Q.TY	PART NO.	ITEM NO.	DESCRIPTION	Q.TY
	1	SHAFT	1				
	2	BEARING	1				
	3	O-RING	1				
	4	O-RING	1				
	5	CLUTCH HOUSING	1				
	6	O-RING	1				
	7	CLUTCH FLANGE	1				
	8	CAPSCREW TE 10.9 UNI 5739	3				
	9	SUPPORT	1				
	10	SNAP RING	1				
	11	WASHER INOX A2 9021	1				
	12	OIL SEAL	1				
	13	CUPRUM WASHER	1				
	14	CAPSCREW TCEI 12.9 UNI 5931	1				
	15	SPRING	1				
	16	SPRING	1				
	17	PISTON	1				
	18	SNAP RING	1				
	19	SNAP RING	1				
	20	THRUST-WASHER	1				
	21	BEARINGS FLANGE	1				

7.10 AIR CLUTCH PARTS DRAWING



7.11 CABLE TENSIONER PARTS LIST

PART NO.	ITEM NO.	DESCRIPTION	Q.TY	PART NO.	ITEM NO.	DESCRIPTION	Q.TY
	1	RIGHT MOUNTING BRACKET	1				
	2	LEFT MOUNTING BRACKET	1				
	3	BUSHING	2				
	4	FRAME	1				
	5	ROLLER	1				
	6	LEFT RETAINER SPRING	1				
	7	RIGHT RETAINER SPRING	1				
	8	CAPSCREW M16X90	1				
	9	WASHER	2				
	10	SHAFT	1				
	11	LOCK NUT	2				
	12	CAPSCREW M22X40	2				
	13	CAPSCREW TCEI M12X35	2				
	14	BEARING 6305	2				