



Spare parts catalogue

Winch
SE30 L6 LE

DINAMIC OIL S.p.A.

Via Togliatti, 15
41030 Bomporto (MO)
tel +39.059.812611
fax +39.059.812603
dinamicoil@dinamicoil.it

Spare parts catalogue No.

L287

Logbook code

933003243G

Edition

21/05/2014

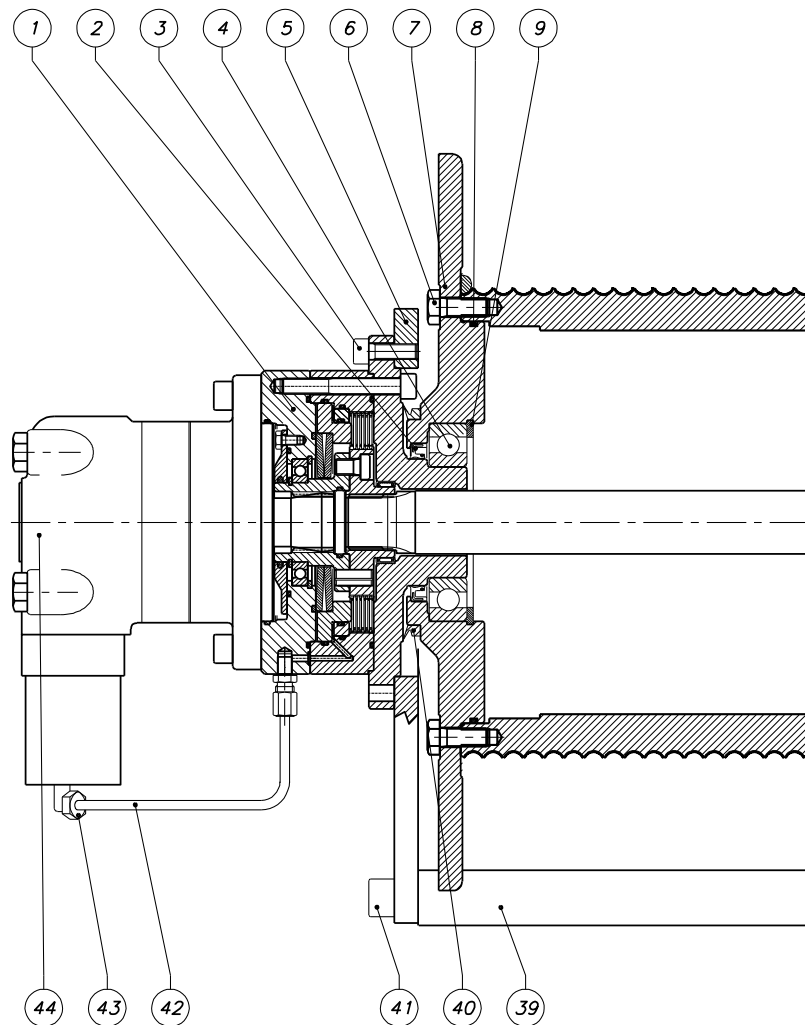
Revision

0

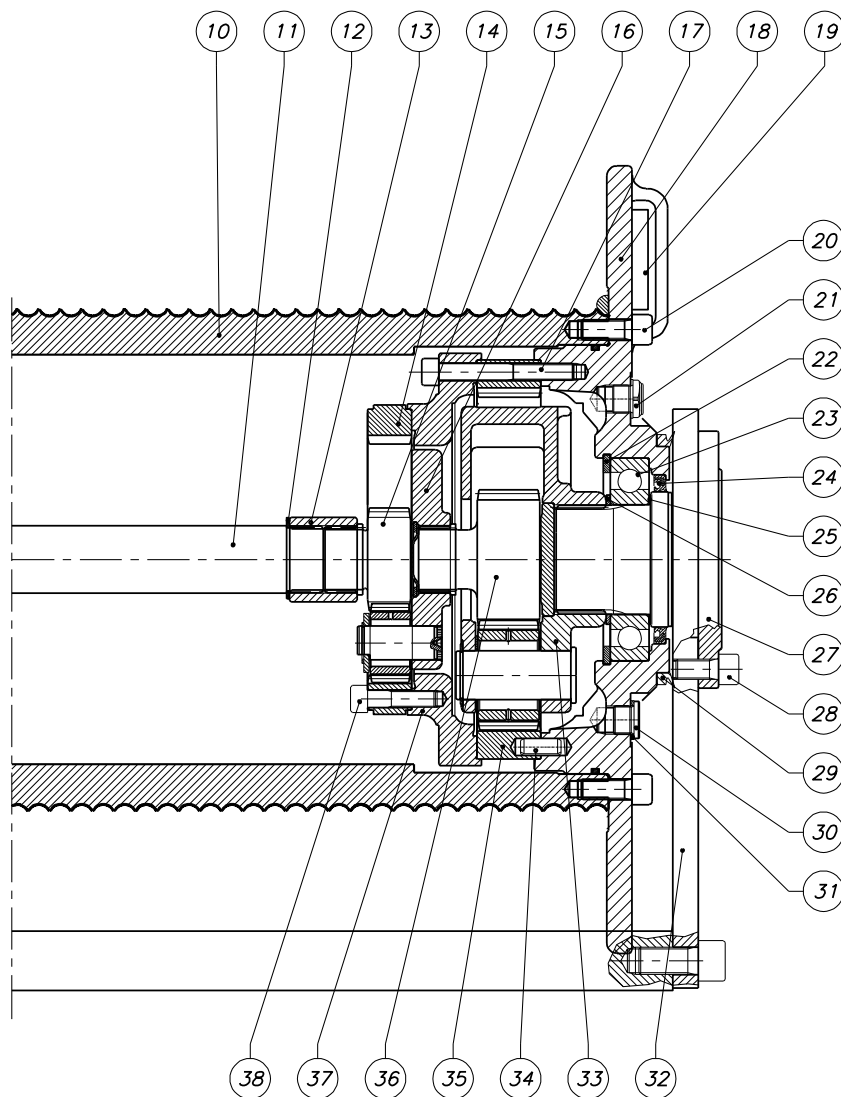


Table index	<i>Winch</i>	SE30 L6 LE
	<i>Logbook code</i>	933003243G

Page	Table code	Table heading
3	933003243G-1	WINCH SE30 L6 LE HMF LEBUS Ø12 SLM
4	933003243G-2	WINCH SE30 L6 LE HMF LEBUS Ø12 SLM
5	933003243G-3	WINCH SE30 L6 LE HMF LEBUS Ø12 SLM
6	02981033	BRAKE GROUP FOR WINCH SE20/3-SE30-SE45
7	905360300-1	CABLE PRESS KIT SE30 L6 LE HMF
8	905360300-2	CABLE PRESS KIT SE30 L6 LE HMF
9	905000102	3RD WRAP INDICATOR LIMIT SWITCH



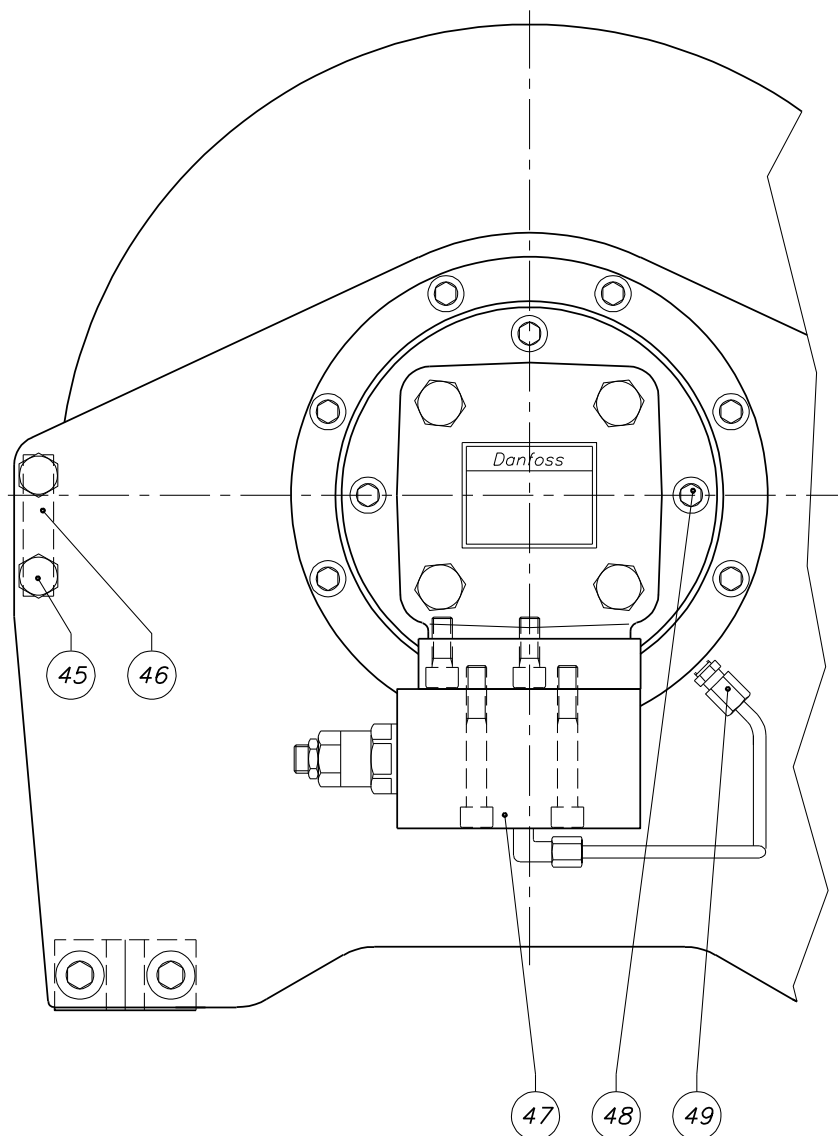
Pos	Code	Qty	Description
1	02981033	1	BRAKE GROUP FOR WINCH SE20/3-SE30-SE45
2	415009700	1	SEAL RING 80X100X10 BASL
3	410001500	8	HEX SOCKET HEAD CAP SCREW M10X30 8.8 UNI 5931
4	400001600	1	BALL BEARING 6214 TYPE B
5	02340284	1	MOTOR SIDE SUPPORT FOR WINCH SE30
6	410030600	8	HEX HEAD CAP SCREW M12X30 10.9 UNI 5739
7	029710470	1	MOTOR SIDE FLANGE SE30
8	406021800	2	O-RING 2-272
9	421102700	1	HOLE SEEGER Ø125
39	024510259	2	FIXING PLATE X WINCH SE30 L6 (L=571.5)
40	406060100	1	V-RING NBR VA 130
41	410410700	8	HEX SOCKET HEAD CAP SCREW M16X35 12.9 UNI 5931
42	026710108	1	BRAKE PIPE SX ARG.SE20/3 - SE45
43	440000100	1	CONNECTOR 90° 1/8" BSP TAPERED Ø6 PIPE
44	425020200	1	MOTOR OMTS 200 151B3037

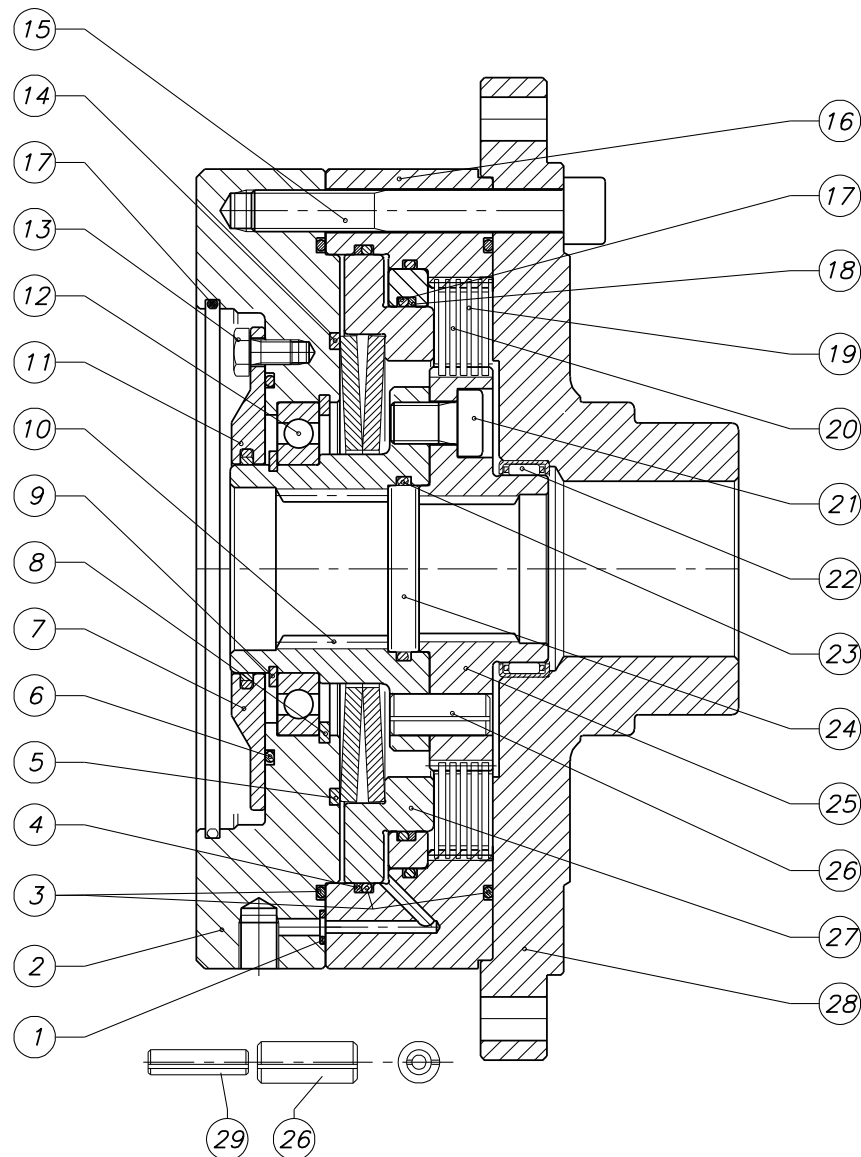


Pos	Code	Qty	Description
10	029910363	1	LEBUS DRUM Ø12 WINCH SE30 L6 LE SX
11	024410138	1	DRIVE SHAFT X WINCH SE30 L6 (L=476)
12	421000600	1	SHAFT SEEGER Ø40
13	263200600	1	SPLINED COUPLING SW4 - S45
14	02231009	1	RING GEAR RE210/240 1 ST
15	02611017	1	SUN GEAR 2ST R=1:3.48 RE 210 / '98
16	99103600	1	GEAR SUBASSEMBLY RE 210 N 3,48
17	410407800	12	HEX SOCKET HEAD CAP SCREW M10X80 12.9 UNI 5931
18	029710482	1	GEAR SIDE FLANGE S-SE30/35
19	02410216	1	WEDGE SPECIAL VERSION S30 DIA 12
20	410402100	8	HEX SOCKET HEAD CAP SCREW M12X30 12.9 UNI 5931
21	419020600	1	LEVEL OIL PLUG 3/8" (METAL)
22	421106400	1	HOLE SEEGER Ø120
23	400005300	1	BALL BEARING 6213 TYPE B
24	415002500	1	SEAL RING 80X100X7/8 BABSL
25	427018900	1	THICKNESS SHIM ADJUSTMENT 65X75X1
26	421003900	1	SHAFT SEEGER Ø65
27	02371008	1	ANTIROTATION FLANGE S/SE30-35
28	410407700	11	HEX SOCKET HEAD CAP SCREW M12X25 12.9
29	406060200	1	V-RING NBR VA 140
30	419000700	1	HEX SOCKET HEAD CAP PLUG DIN 908 R 3/8" GAS
31	423000600	1	SOFT WASHER COPPER 3/8" UNI 6953
32	029710665	1	SIDE SUPPORT SE30 L6 LE HMF
33	99124800	1	REDUCTION GROUP RE 510 4,25 '00 X SE35
34	434003300	2	ELASTIC PIN SPIROL Ø10X24 UNI6875
35	2030030600	1	RING GEAR RE500
36	2030031900	1	SUN GEAR R 4,25 RE 510
37	2030022400	1	INTERMEDIATE FLANGE RE300-500 FOR RE110/210/240
38	410406800	8	HEX SOCKET HEAD CAP SCREW M10X40 12.9 UNI5931

933003243G-3	<i>Winch</i>	SE30 L6 LE
	<i>Logbook code</i>	933003243G

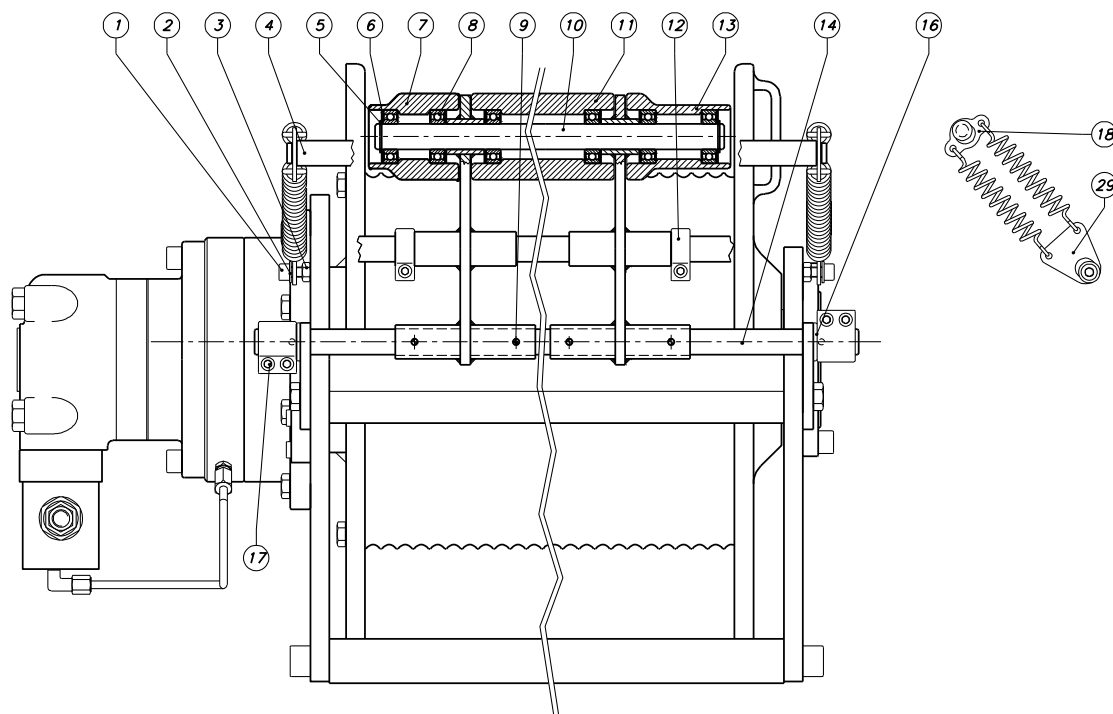
Pos	Code	Qty	Description
45	410033400	8	HEX HEAD CAP SCREW M12X35 10.9 UNI 5739
46	024510258	2	UPPER RAIL SE30 L6 (L=571.5)
47	438014600	1	VALVE VOC120 F.MD.S.SE.CH/10 OMT
48	410003400	4	HEX SOCKET HEAD CAP SCREW M12X30 8.8 UNI 5931
49	440001000	1	STRAIGHT CONNECTOR 1/8"G CONICAL Ø6 PIPE

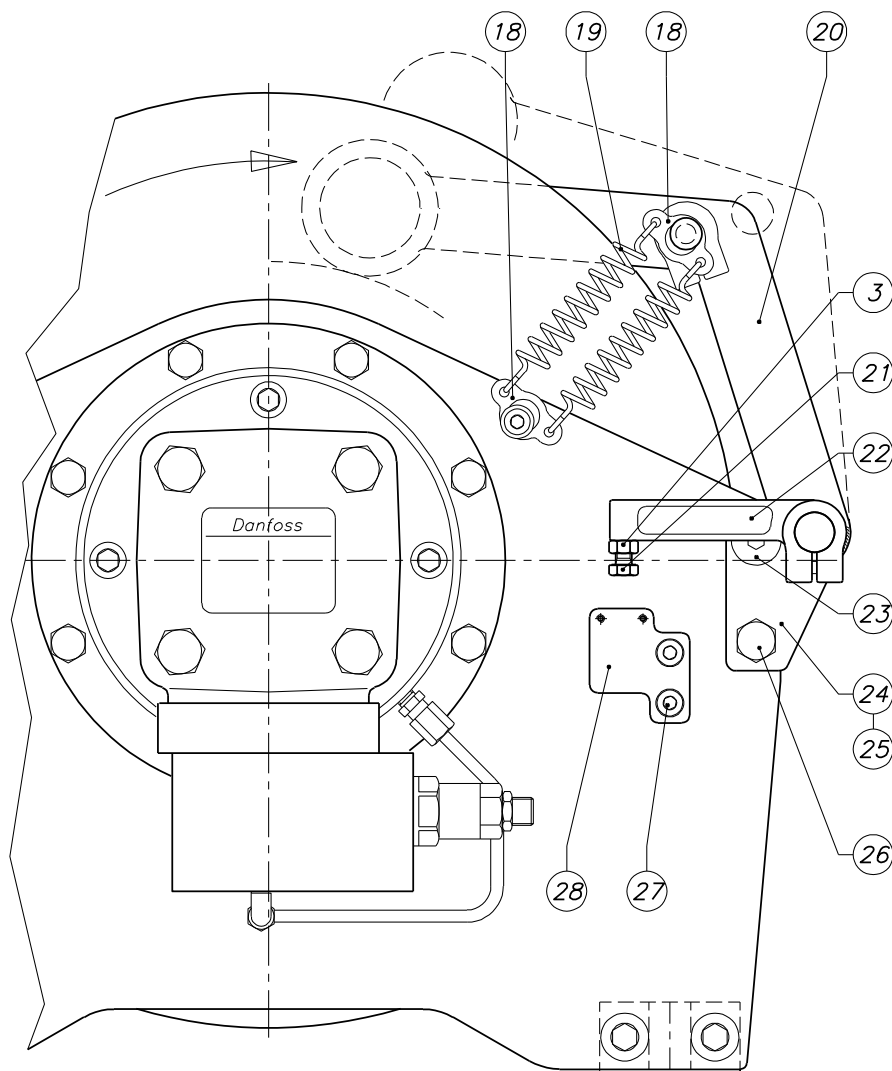




Pos	Code	Qty	Description
1	406001100	1	O-RING 2-008
2	02461026	1	MOTOR FIXING FLANGE SE30
3	406016800	3	O-RING 2-163 N 674-70 (PARKER)
4	415068700	1	ANTIEXTRUSION FLUORTEN T-2306/A
5	415025900	1	SHOULDER RING BR112 FOR HOLE
6	406013600	1	O-RING 2-153
7	02251002	1	SEAL SUPPORT ROTOGLYD S20->S45
8	421101500	1	HOLE SEEGER Ø80
9	421000800	1	SHAFT SEEGER Ø50
10	02631002	1	FLANGED COUPLING S20--->S45
11	415006300	1	SEAL ROTO-GLYD TF2105-1-0500-600
12	400004100	1	BALL BEARING 16010 TYPE B
13	410211000	3	HEX HEAD CAP SCREW M6X10 8.8 UNI 5739
14	416203700	2	DISC SPRING 112X57X4
15	410408000	8	HEX SOCKET HEAD CAP SCREW M10X75 12.9 UNI 5931
16	02971105	1	BRAKE BODY
17	406016700	2	OR 2-159 N 674-70 (PARKER)
18	415068600	1	ANTIEXTRUSION RING FLUORTEN T-2307/A
19	415040400	5	DISK SINTER MIBA 7351104 C SP.1,6
20	415030800	6	EXTERNAL STEEL DISK 5" SP.1
21	410419000	3	HEX SOCKET HEAD CAP SCREW M10X16 10.9 DIN7984
22	402005500	1	ROLLER BEARING HK 4512
23	406014400	1	O-RING 2-129
24	02741002	1	BRAKE PAD 'S' WINCHES
25	02241003	1	BRAKE DISK GEAR S20--->S100
26	434017100	3	ELASTIC PIN Ø10X24 UNI6873 HEAVY TYPE (ISO 8752)
27	02271002	1	BRAKE PISTON S20--->S100
28	02331030	1	CARRIER FLANGE SE20/3-SE30-SE45
29	434017200	3	ELASTIC PIN Ø6X24 UNI6873 HEAVY TYPE (ISO 8752)

Pos	Code	Qty	Description
1	410083800	2	HEX SOCKET HEAD CAP SCREW M8X30 INOX UNI 5931
2	423109700	2	FLAT WASHER Ø8.4X17X1.6 INOX
3	413002900	4	NUT M8 UNI 5588 INOX A2-70
4	02601634	1	SPRING PIN Ø20X710 CABLE PRESS. UNIF.
5	421005700	2	SHAFT SEEGER Ø20 INOX
6	423010600	6	NYLON WASHER Ø21X41.5X1
7	010105217	1	DISCHARGED ROLLER L15 Ø68X71 PLA6
8	400011600	6	BALL BEARING 6004 2RS TYPE B
9	434010900	4	ELASTIC PIN Ø 5X30 UNI6873 INOX
10	026010351	1	ROLL PIN Ø20X55,5 SE30 L6
11	010105283	1	CABLE PRESS ROLLER Ø68X392.5 ERTALON 6 PLA
12	029813102	2	NYLON CLAMP GROUP Ø20
13	010105249	1	DISCHARGED ROLLER L60 Ø68X82 PLA6
14	026010427	1	CABLE PRESS PIN INOX SE30 L6 LE HMF
16	423203800	2	WASHER Ø21 UNI6592 INOX SHIM 3
17	02981308	1	SCREWS+BOLT KIT M6
18	02490285	3	SPRING PLATE I=8
29	024902110	1	SPRING PLATE I=32





Pos	Code	Qty	Description
3	413002900	4	NUT M8 UNI 5588 INOX A2-70
18	02490285	3	SPRING PLATE I=8
19	418201400	4	TRACTION SPRING DIM T42710 INOX
20	029917184	2	CABLE PRESS ARM TYPE 18 INOX
21	410019400	2	HEX HEAD CAP SCREW M8X30 INOX A2-70
22	01020002	2	END STROKE LEVER (SHORT) NYLON 6
23	410042800	2	HEX SOCKET COUNTERSUNK M12X35 10.9 GEO.500B
24	02490217	1	CABE PRESS SUPPORT PLATE SE30DX/SWE40 INOX
25	02490209	1	CABLE PRESS SUPPORT PLATE SE30SX INOX
26	410024600	2	HEX HEAD CAP SCREW M12X35 10.9 GEOMET 500B
27	410150600	4	HEX SOCKET HEAD CAP SCREW M8X20 A2-70 (INOX)
28	01020003	2	MICROSWITCH SUPPORT PLATE

Pos	Code	Qty	Description
1	409801	1	MICROSWITCH PIZZATO FR501-V9
2	460100900	1	REDUCTION MF PG13,5-PG7 RTG 86782
3	460100400	1	FIXED MALE CONNECTOR PG7 RTG84310
4	410085000	2	HEX SOCKET HEAD CAP SCREW M4X40 INOX A2-70
5	423106700	2	CHAMFERED WASHER Ø4 UNI 1750 INOX

